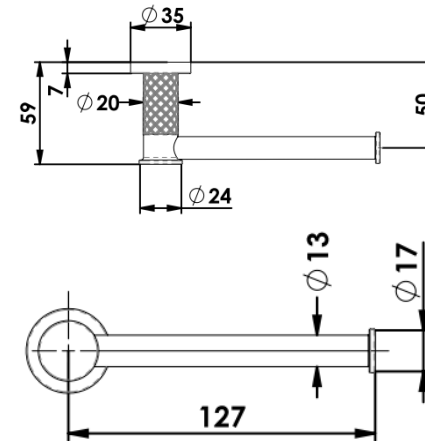


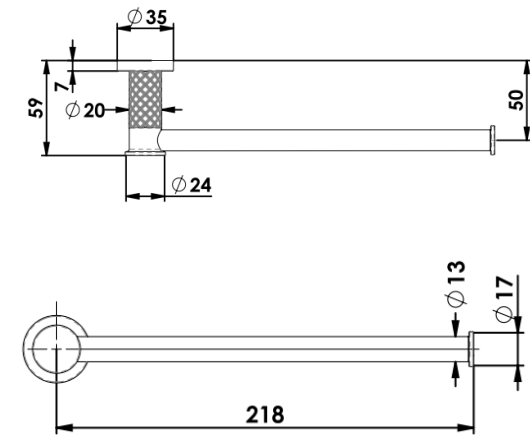


# TEXTURA ACCESSORIES INSTALLATION INSTRUCTIONS

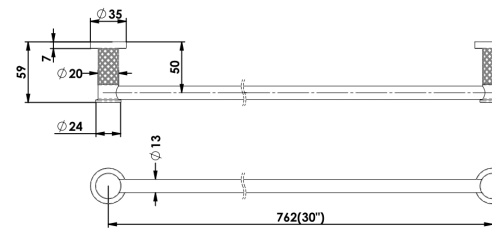
## TOILET ROLL HOLDER



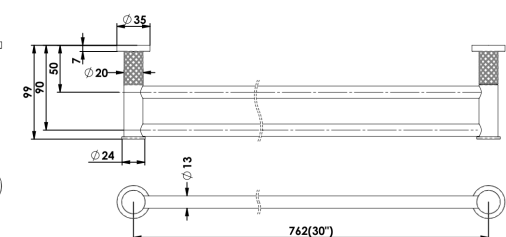
## HAND TOWEL HOLDER



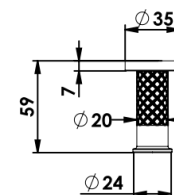
## 762mm SINGLE TOWEL RAIL



## 762mm DOUBLE TOWEL RAIL



## DOUBLE ROBE HOOK



Please contact country of purchase .

### NZ:

**Distributed by: Greens Global Limited**

PO Box 5055, Hamilton, 3200

22 The Boulevard, Te Rapa, Hamilton 3200

Phone: 07 849 0109, Fax: 07 849 0540

Website: [www.greenstapware.com](http://www.greenstapware.com)

Email: [nzsales@greenstapware.com](mailto:nzsales@greenstapware.com)

**Service Hotline: 0800 655 455**

### Australia:

**Distributed by: Greens Global (Australia) Ltd**

10/101 Wedgewood Rd, Hallam, Victoria 3803

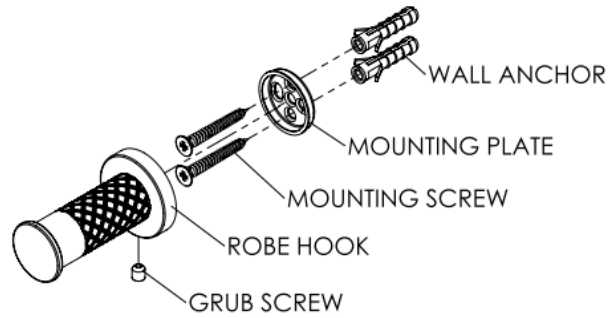
Phone: 1800 244 487 Fax: 1800 244 212

Email: [aussales@greenstapware.com](mailto:aussales@greenstapware.com)

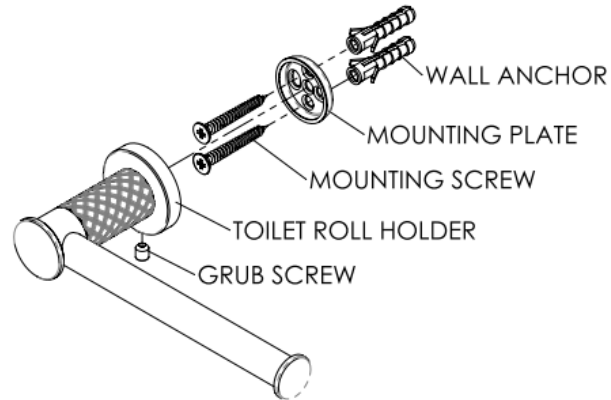
Website: [www.greenstapware.com](http://www.greenstapware.com)

**Service Hotline: 1800 244 992**

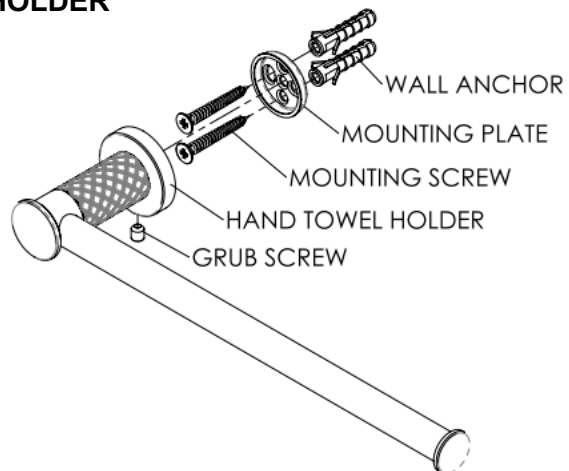
## DOUBLE ROBE HOOK



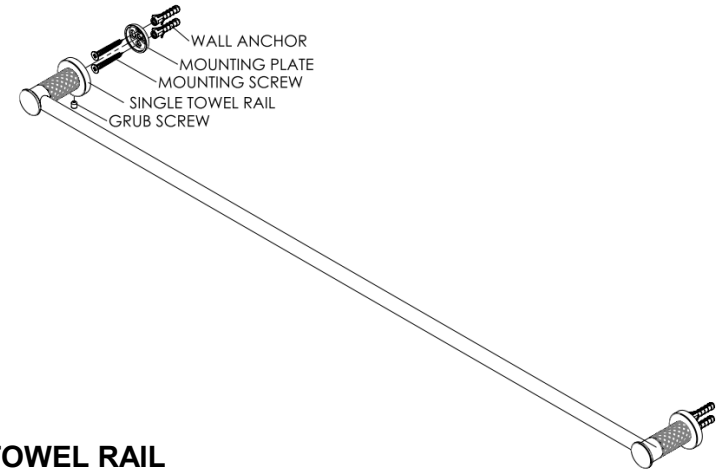
## TOILET PAPER HOLDER



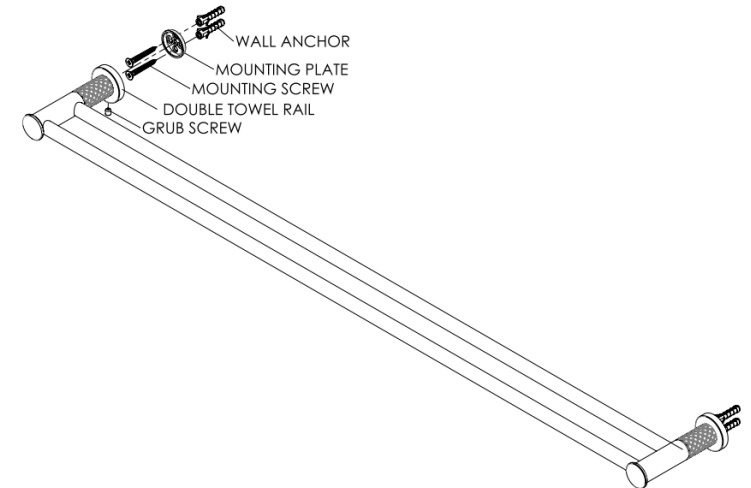
## HAND TOWEL HOLDER



## SINGLE TOWEL RAIL



## DOUBLE TOWEL RAIL



## INSTALLATION INSTRUCTIONS

1. Remove the mounting plate by backing of the grub screw.
2. Place the mounting plate in the required position and screw to finished wall.
  - a. Towel Rails: Mark out first and check as **must be level**.
  - b. Drill pilot holes, if required.
  - c. Anchor sleeves are provided for masonry walls.

**Note:** All accessories must be **attached to a wooden stud or nog**, this will support the product over time. New builds or renovations it is best to pre plan for support locations.

3. Install accessory to mounting plate and tighten the grub screw.