



GISELE WALL BASIN MIXER WITH PLATE INSTALLATION INSTRUCTIONS

PRODUCT #

BATCH #

ATTENTION PLUMBER

To ensure the optimum performance and customer satisfaction please adhere to the following:

- Flush out all pipe work prior to installation
- Installation shall be in accordance with the AS/NZS3500 series of standards.
The maximum operating pressure within any building should not exceed 500kpa.
Pressure above 500kpa can cause damage from water hammer, reducing life of appliances, taps and fittings and cause excessive noise in the plumbing system.
- Pressure over 500kPa will require a limiting valve.
- Inline filters must be installed on both hot and cold supplies.

TECHNICAL DATA

- Minimum Water pressure for satisfactory operation: 150kPa
- Maximum Water pressure: 500kPa
- Maximum hot water temperature: 70°C
If the Water temperature exceeds 70°C an approved Tempering Valve must be fitted.
- The flow rate of the sink and basin mixers has been rated under the Australian Water Efficiency Labeling Scheme (WELS).

Please leave this form with the product once installed.

For full warranty terms and conditions, please see the warranty card enclosed with this product or visit www.greenstapware.com/warranty-and-care/

Australia:

Distributed by: Greens Global (Australia) Ltd

10/101 Wedgewood Rd, Hallam, Victoria 3803

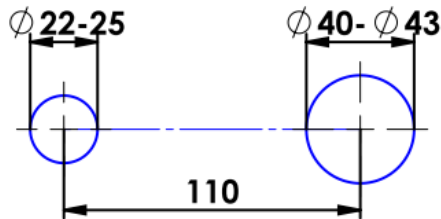
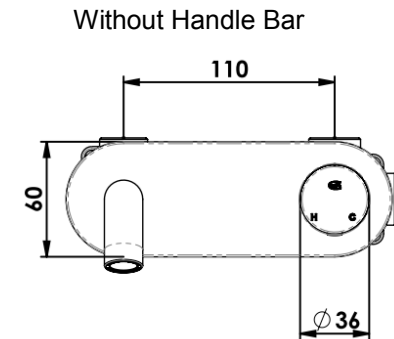
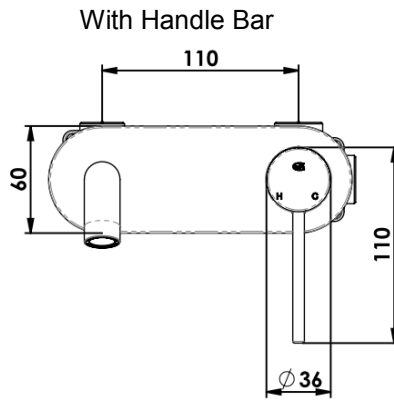
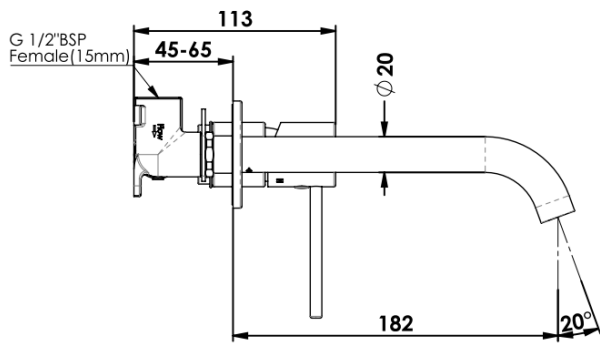
Phone: 1800 244 487 Fax: 1800 244 212

Email: aussales@greenstapware.com

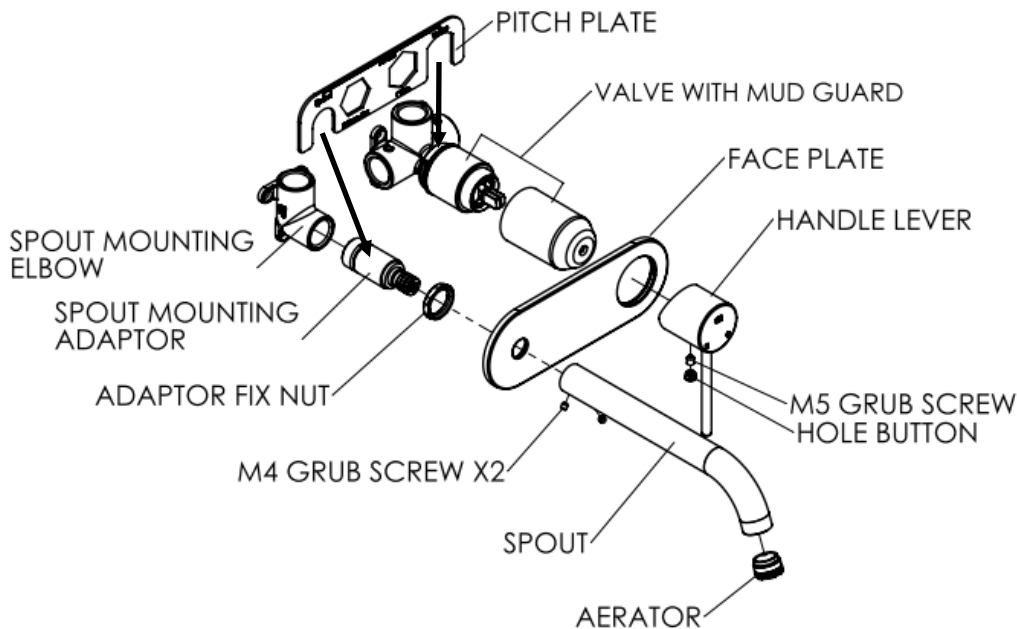
Website: www.greenstapware.com

Service Hotline: 1800 244 992

#40040 07/18



Mounting Hole



INSTALLATION INSTRUCTIONS

Note: Spout can be installed on the left or right side of the mixer valve.
 Cut out holes in finished wall: Valve 40-43mm Spout 22-25mm.
 Valve mounting 45-65mm behind finished wall.

Installing Mixer Valve Body:

- Position the mixer against a mounting board within the **maximum and minimum depth of 45-65mm** and fix.
 - Ensure the "Hot" (H) inlet, enters from the left, when the outlet to the shower is at the top.
 - Mug guard has minimum and maximum for finished wall.
 - Leave mud guard on valve body until final fit out.
 - Note: Finished wall cut out must be up to the mud guard.**
 - Note: Maximum cut out of 40-43mm.**
- Connect water supply to the mixer and from the mixer to the shower outlet.
 - Do not pressure test with valve in the open position when the outlet is closed.**

Installing Spout Mounting Elbow:

- Install the brass 15mm mounting elbow for spout position and connect water supply from mixer outlet to elbow.
 - Check alignment of valve body and spout mounting using the pitch plate.**
 - Check is level with a spirit level. Sit the pitch plate in the **groove of valve body** and sit **over the thread** on the adaptor.
 - Note: Do not sit pitch plate in the groove in mounting adaptor.**
- To water test, remove the spout mounting adaptor by unscrewing and cap off using 15mm threaded plug.

Install Face Plate & Handle:

- Remove the mud guard.
- Remove the protective tape from the seal and slide the faceplate over the mixer body and mounting for elbow and position against the wall lining.
 - Plate is reversible.
- Sealant will be required behind faceplate on uneven surfaces for water seal.
- Install the handle onto the cartridge lever and tighten the screw under the handle with the 2.5mm Allen key supplied and fit button.

Installing Spout & Mounting Adaptor:

- Install the mounting adaptor to the mounting elbow.
 - The adaptor can be cut back to the groove.
 - Using a 1/4" Allen key (Not supplied).
 - To finish wall line as shown on adaptor.
- Install the adaptor fix nut and screw up tight against the mounting elbow.
- Grease the O-rings on the adaptor and install spout and tighten grub screws.
 - Check: The grub screws are not projecting into the bore to ensure the O-rings are not cut.**