

Install Hose And Roses:

1. Install hose and ensure sealing washers are in place.
 - a. Nut end to lower outlet on rail and tapered end to the hand set.
2. Install over head rose to rail and hand set to hose and ensure sealing washer is in place.

Diverter Operation:

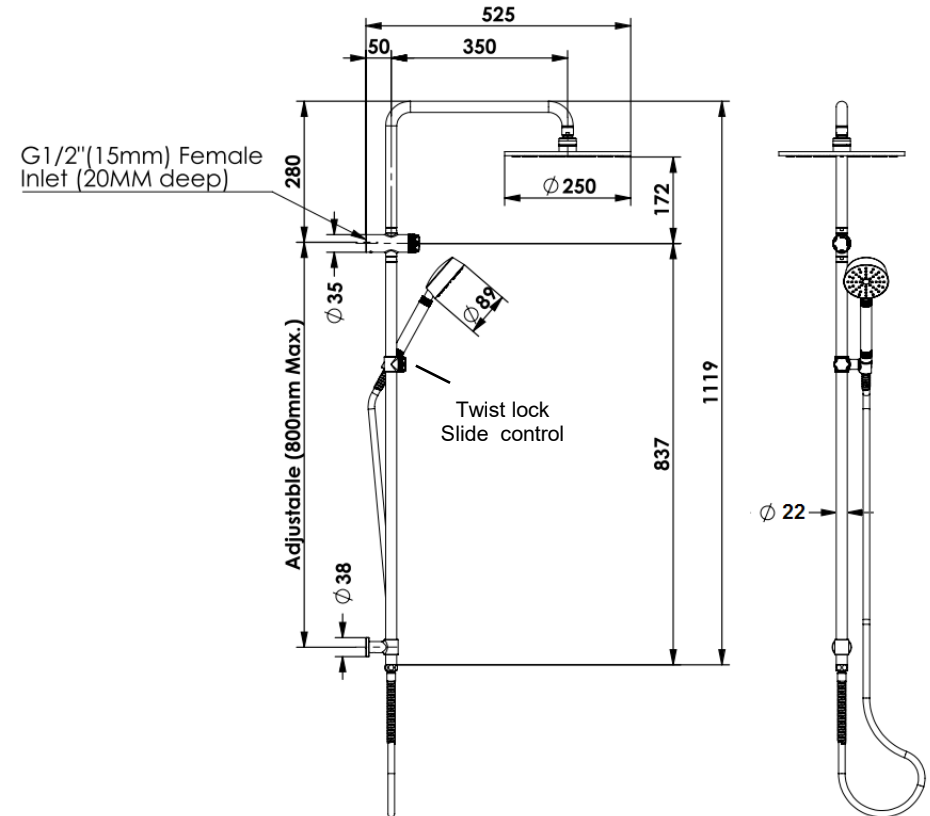
1. The diverter is a manual operation turn handle either to the left or to the right.
2. **NOTE: This is not a shut off valve, must always shut off at mixer after use.**



TEXTURA TWIN RAIL SHOWER INSTALLATION INSTRUCTIONS

PRODUCT #

BATCH #



Please contact country of purchase .

NZ:

Distributed by: Greens Global Limited
PO Box 5055, Hamilton, 3200
22 The Boulevard, Te Rapa, Hamilton 3200
Phone: 07 849 0109, Fax: 07 849 0540
Website: www.greenstapware.com
Email: nzsales@greenstapware.com
Service Hotline: 0800 655 455

Australia:

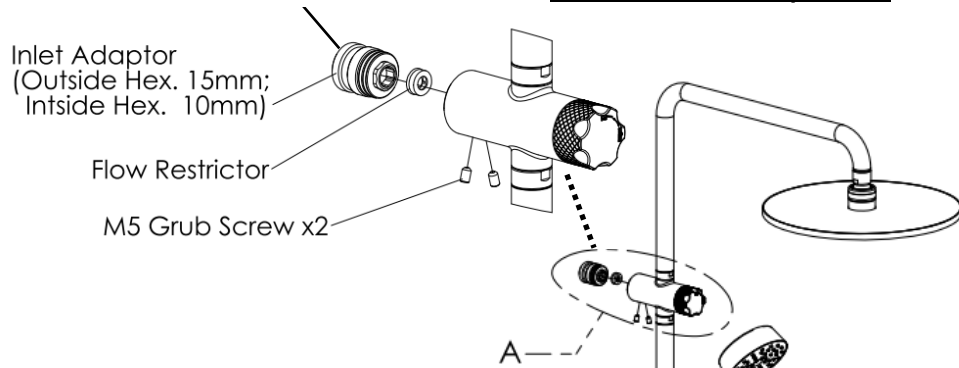
Distributed by: Greens Global (Australia) Ltd
10/101 Wedgewood Rd, Hallam, Victoria 3803
Phone: 1800 244 487 Fax: 1800 244 212
Email: aussales@greenstapware.com
Website: www.greenstapware.com
Service Hotline: 1800 244 992

Technical Data

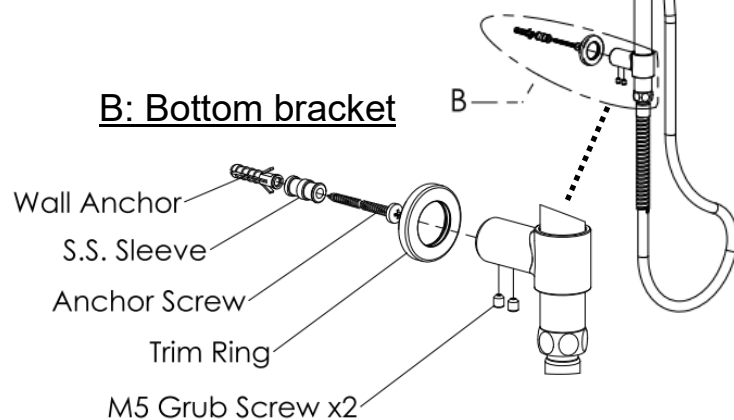
- **Suitable for use with high pressure water supply only.**
Not suitable for gravity-fed water heaters, low and unequal pressure networks.
- Minimum Water pressure: 150kpa.
- Maximum water pressure: 500kpa.
- Pressure over 500kpa will require a limiting valve.
- Installation shall be in accordance with the AS/NZS3500 series of standards.
- Flow rate of 3 star 9 l/m has been rated under the Australian Water Efficiency Labeling Scheme (WELS).

Edge level with finish wall

A: Diverter -Top Inlet



B: Bottom bracket



- **Top Inlet at the diverter.**
- **Diverter is 35mm dia.**
- **Bottom bracket mount is adjustable with max 800mm Centres.**

Install The 15mm Female Inlet Adaptor:

1. At pipe-out stage install a **brass 15mm male wingback elbow** (not supplied).
 - a. Remove the adaptor from the diverter.
 - i. **NOTE:** Loosen off the grub screw to ensure the O-rings are not cut on the adaptor.
 - b. Note: The female inlet adaptor requires MAX 20mm thread from finished wall.
 - c. **Inlet is at the top.**
 - d. **CHECK:** The height required with customer as there is no height adjustment.
2. Cut the inlet thread to **MAX 20mm** from finished wall.
3. Install adaptor using a spanner or a 10mm Allen key.
 - a. **Back edge of the adaptor to be level with the finished wall as shown.**

Install Mounting Sleeve For Bottom Bracket:

1. Mark out and install mounting sleeve inline with the inlet to ensure rail will be straight.
 - a. **Note:** For adjusting the bracket height, a locking screw is inside bracket. To adjust use 5mm Allen key.
 - b. Must screw into a wooden stud or nog.
 - c. Wall anchor provided for masonry walls.

Installing Rail:

1. Install diverter with rail to inlet adaptor.
 - a. Lightly grease O-rings on the inlet adaptor.
 - b. **CHECK:** Grub screws are not projecting into the bore.
 - i. Loosen off to ensure they do not cut the O-rings on the adaptor.
 - c. **Sealant is required behind the diverter to wall for water seal** (not supplied).
2. Install bottom bracket.
 - a. Back off grub screws enough for attaching to mount.
 - b. **Remove the protective tape** from seal on the trim ring.
 - c. Additional sealant is required for uneven surfaces for water seal.
 - d. Install rail to the mounting sleeve and tighten the grub screws.
 - i. **To adjust bottom rail bracket height**, back off grub screw inside and tighten at height required using a 5mm Allen key.
 - e. **Carefully position trim ring** against finished wall
 - i. Note: The trim ring has an O-ring on the inside, when sliding trim over the grub screws ensure they are below the surface as not to cut the seal.
3. Install overhead arm to top of diverter, position and tighten the nut.
 - a. Lightly grease O-rings on the arm.