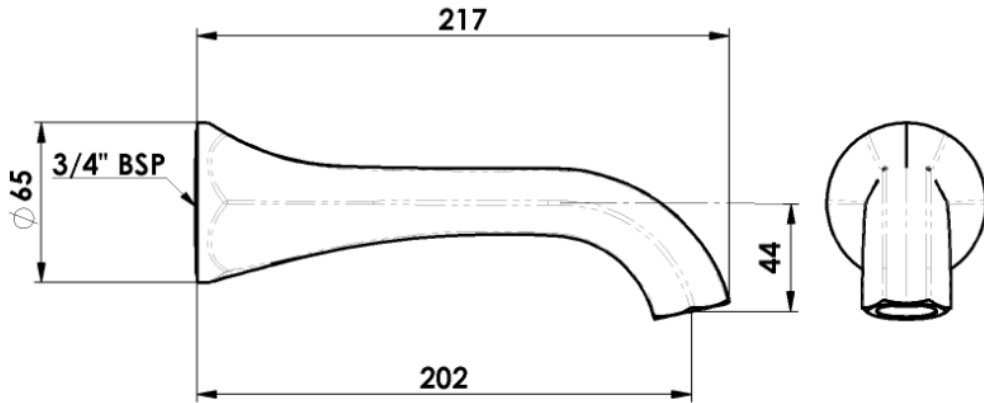




POLARO WALL MOUNTED BATH SPOUT INSTALLATION INSTRUCTIONS

PRODUCT #
146183

BATCH #
240920



Installation shall be in accordance with the AS/NZS3500 series of standards.

Please leave this instruction sheet with the customer.

Please contact country of purchase.

NZ:
Distributed by: Greens Global Limited
PO Box 5055, Hamilton, 3200
22 The Boulevard, Te Rapa, Hamilton 3200
Phone: 07 849 0109, Fax: 07 849 0540
Website: www.greenstapware.com
Email: nzsales@greenstapware.com
Service Hotline: 0800 655 455

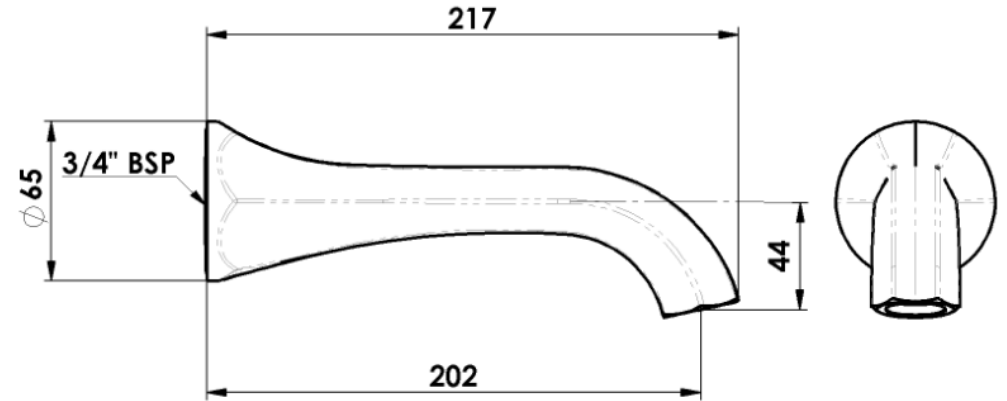
Australia:
Distributed by: Greens Global (Australia) Ltd
10/101 Wedgewood Rd, Hallam, Victoria 3803
Phone: 1800 244 487 Fax: 1800 244 212
Email: aussales@greenstapware.com
Website: www.greenstapware.com
Service Hotline: 1800 244 992



POLARO WALL MOUNTED BATH SPOUT INSTALLATION INSTRUCTIONS

PRODUCT #
146183

BATCH #
240920



Installation shall be in accordance with the AS/NZS3500 series of standards.

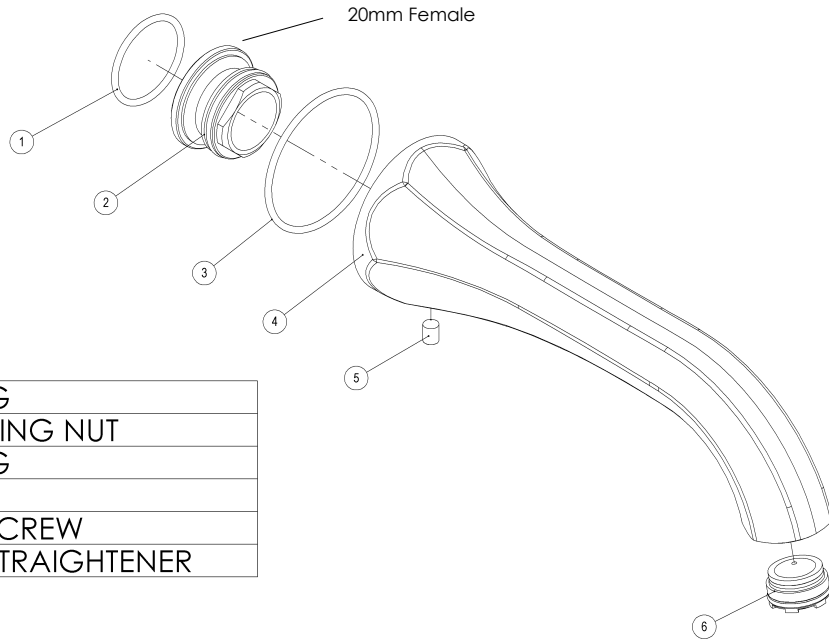
Please leave this instruction sheet with the customer.

Please contact country of purchase.

NZ:
Distributed by: Greens Global Limited
PO Box 5055, Hamilton, 3200
22 The Boulevard, Te Rapa, Hamilton 3200
Phone: 07 849 0109, Fax: 07 849 0540
Website: www.greenstapware.com
Email: nzsales@greenstapware.com
Service Hotline: 0800 655 455

Australia:
Distributed by: Greens Global (Australia) Ltd
10/101 Wedgewood Rd, Hallam, Victoria 3803
Phone: 1800 244 487 Fax: 1800 244 212
Email: aussales@greenstapware.com
Website: www.greenstapware.com
Service Hotline: 1800 244 992

INSTALLATION INSTRUCTIONS



1	'O' RING
2	MOUNTING NUT
3	'O' RING
4	SPOUT
5	GRUB SCREW
6	FLOW STRAIGHTENER

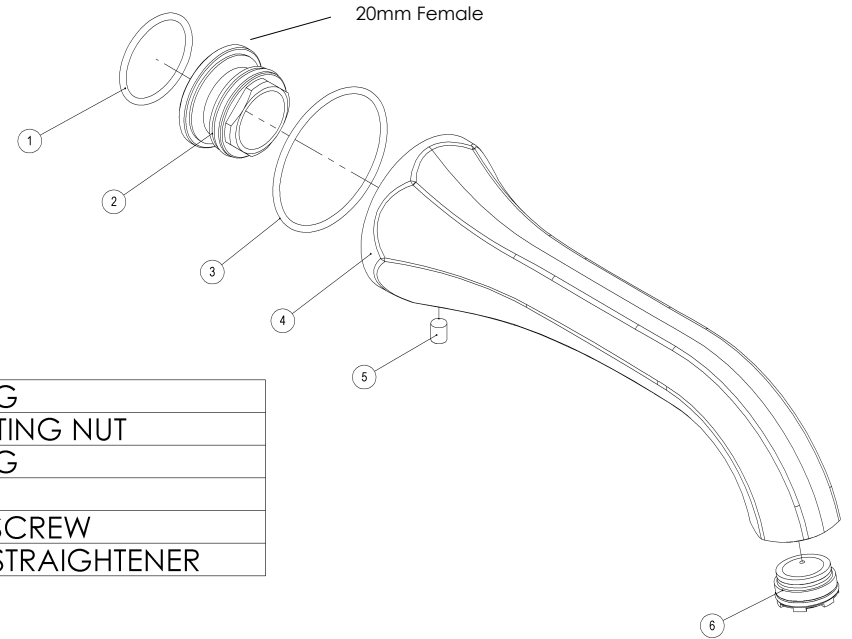
Installation Instructions

1. Remove mounting nut #2.
 - a. loosen off grub screw #5 until nearly out to ensure the grub screw does not cut the o-rings on the mounting nut.
2. Apply grease to o-rings on mounting nut. (Not supplied.)
3. Install mounting nut #2 to supply line and ensure the o-ring seal #1 is in place.
4. Install the spout #4 and ensure the o-ring seal #3 is in place.
5. Position spout and tighten the grub screw #5.

After Installation:

Test with water running.

INSTALLATION INSTRUCTIONS



1	'O' RING
2	MOUNTING NUT
3	'O' RING
4	SPOUT
5	GRUB SCREW
6	FLOW STRAIGHTENER

Installation Instructions

1. Remove mounting nut #2.
 - a. loosen off grub screw #5 until nearly out to ensure the grub screw does not cut the o-rings on the mounting nut.
2. Apply grease to o-rings on mounting nut. (Not supplied.)
3. Install mounting nut #2 to supply line and ensure the o-ring seal #1 is in place.
4. Install the spout #4 and ensure the o-ring seal #3 is in place.
5. Position spout and tighten the grub screw #5.

After Installation:

Test with water running.