

## INSTALLATION INSTRUCTIONS SHOWER MIXER

**Note: The Mixer can be mounted 35-70mm behind finished wall surface.**

Locate the correct position of the mixer by ensuring the “Hot” (H) inlet, enters from the left, when the outlet to the shower is at the top.

1. Position the mixer against a mounting board within the maximum and minimum depth allowed and fix.
2. Connect water supply to the mixer and from the mixer to the shower outlet.
  - a. **Do not pressure test with valve in the open position when the outlet is closed.**
  - b. Turn on water supply to the mixer and **check for leaks.**
3. Cut out an access hole in the wall lining for the mixer, as per drawing, and fix lining in place.
4. To secure the faceplate to the wall, remove the protective tape from the seal and slide the faceplate over the mixer body and position against the wall lining.
  - a. Hot (H) on the left.
  - b. Sealant will be required behind faceplate on uneven surfaces for water seal.
5. Install the handle onto the cartridge lever and tighten the screw under the handle and fit hot and cold indicator button, red indication to the left.



## EDGE

### (For Mains Pressure Installations Only) INSTALLATION INSTRUCTIONS

PRODUCT #

BATCH #

#### ATTENTION PLUMBER

To ensure the optimum performance and customer satisfaction please adhere to the following:

- Flush out all pipe work prior to installation
- Installation shall be in accordance with the AS/NZS3500 series of standards.  
**The maximum operating pressure within any building should not exceed 500kpa.** Pressure above 500kpa can cause damage from water hammer, reducing life of appliances, taps and fittings and cause excessive noise in the plumbing system.
- Pressure over 500kPa will require a limiting valve.
- Inline filters must be installed on both hot and cold supplies.

#### TECHNICAL DATA

- Minimum Water pressure for satisfactory operation: 150KPa
- Maximum Water pressure: 500kPa
- Maximum hot water temperature: 70°C  
If the Water temperature exceeds 70°C an approved Tempering Valve must be fitted.
- The flow rate of the sink and basin mixers has been rated under the NZ Water Efficiency Labeling Scheme (WELS).

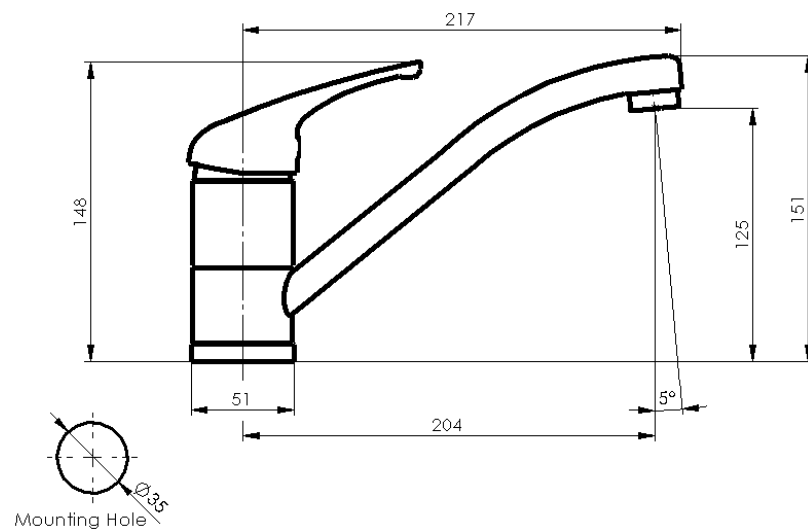
Please leave this form with the product once installed.

For full warranty terms and conditions, please see the warranty card enclosed with this product or visit [www.greenstapware.com/warranty-and-care/](http://www.greenstapware.com/warranty-and-care/)

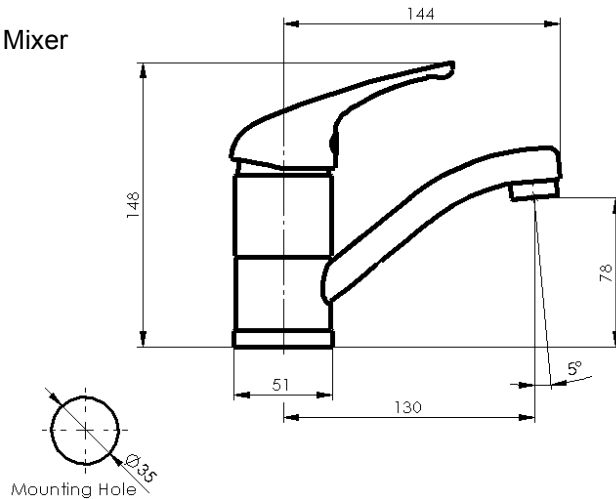
#### Distributed by: Greens Global Limited

PO Box 5055, Hamilton, 3200  
22 The Boulevard, Te Rapa, Hamilton 3200  
Phone: 07 849 0109, Fax: 07 849 0540  
Website: [www.greenstapware.com](http://www.greenstapware.com)  
Email: [nzsales@greenstapware.com](mailto:nzsales@greenstapware.com)  
**Service Hotline: 0800 655 455**

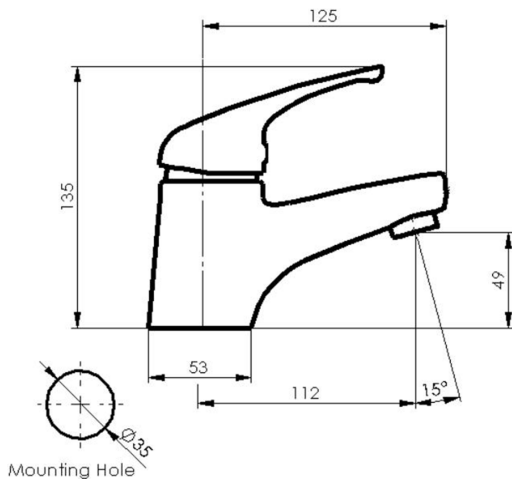
Sink Mixer



Swivel Basin Mixer



Fixed Basin Mixer



## INSTALLATION INSTRUCTIONS SINK AND BASIN MIXERS

### BENCH TOPS

- ◆ Formica/wooden bench tops, extra mounting support is required below the bench.
- ◆ Stainless steel bench tops ensure the mounting washer is against the S/Steel.
- ◆ **Vitreous china tops additional sealant maybe required at the base of the mixer to ensure a water tight seal.**

**Note: Fits Maximum Bench thickness of 43mm.**

To install mixer, cut a mounting hole **35mm** in diameter in the bench surface.

1. Screw the **M8 mounting thread** into base of mixer and **tighten**.
2. **Install seal** at base of mixer.
3. Screw the "Hot" hose (red) and **hand tighten**, into the left hand hose inlet (H) in the base of the mixer.
4. Lower fitted hose into the mounting hole and lay mixer on bench.
5. Feed the "Cold" hose (blue) through the mounting hole from **underneath the bench**. Pick up mixer and screw the hose and **hand tighten**, into cold inlet of mixer.
6. Position mixer in bench top with the **mounting thread to the rear**.
7. From under bench, install the **rubber washer** then the **steel washer** over mounting thread and screw the **mounting nut** to mounting thread. **Tighten** with 11mm tube spanner and secure the mixer to the bench.
8. **Connect flexi hoses** to water supply.
  - a. The union nuts must be connected to 15mm thread fittings which have a **machined end face with a chamfer, not "sawn off" threaded tube**.
  - b. **Do not over tighten the nuts.**
    - i. Hand tighten then 1/4 turn with spanner.
  - c. **Do not kink, stretch or twist**, any bends in the flexible hose should have a radius of no less than 85mm.
9. Turn on water supply and **check for leaks**.