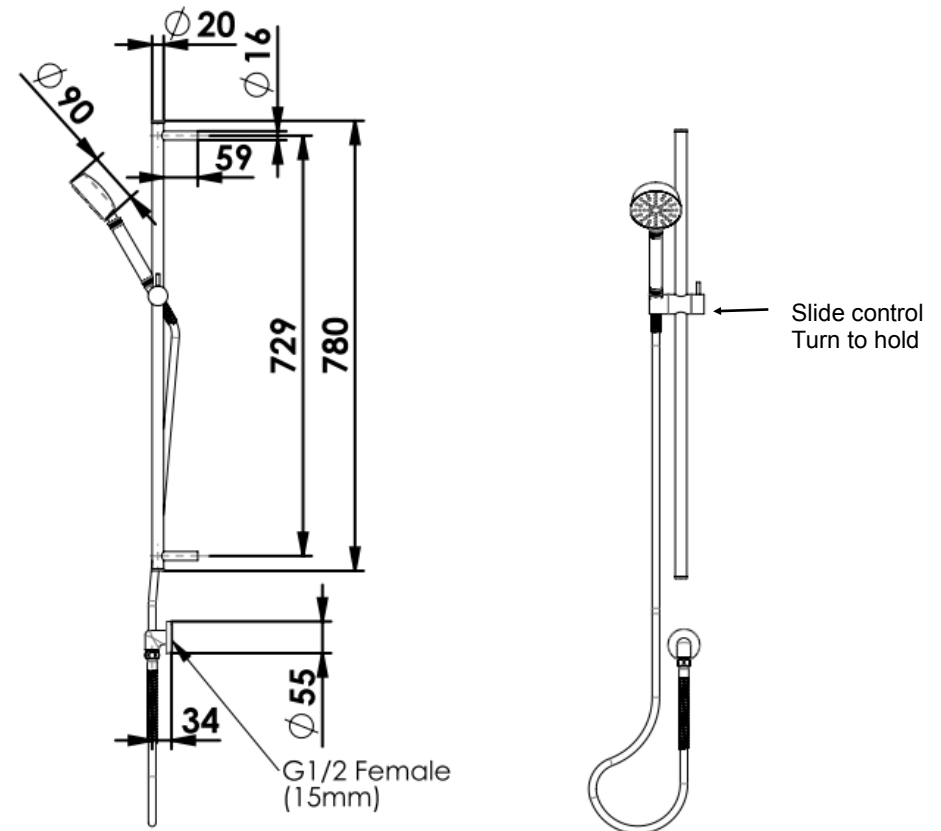




TEXTURA SLIDE SHOWER (All Pressure Installations) INSTALLATION INSTRUCTIONS

PRODUCT #

BATCH #



Please contact country of purchase .

NZ:

Distributed by: Greens Global Limited

PO Box 5055, Hamilton, 3200

22 The Boulevard, Te Rapa, Hamilton 3200

Phone: 07 849 0109, Fax: 07 849 0540

Website: www.greenstapware.com

Email: nzsales@greenstapware.com

Service Hotline: 0800 655 455

Australia:

Distributed by: Greens Global (Australia) Ltd

10/101 Wedgewood Rd, Hallam, Victoria 3803

Phone: 1800 244 487 Fax: 1800 244 212

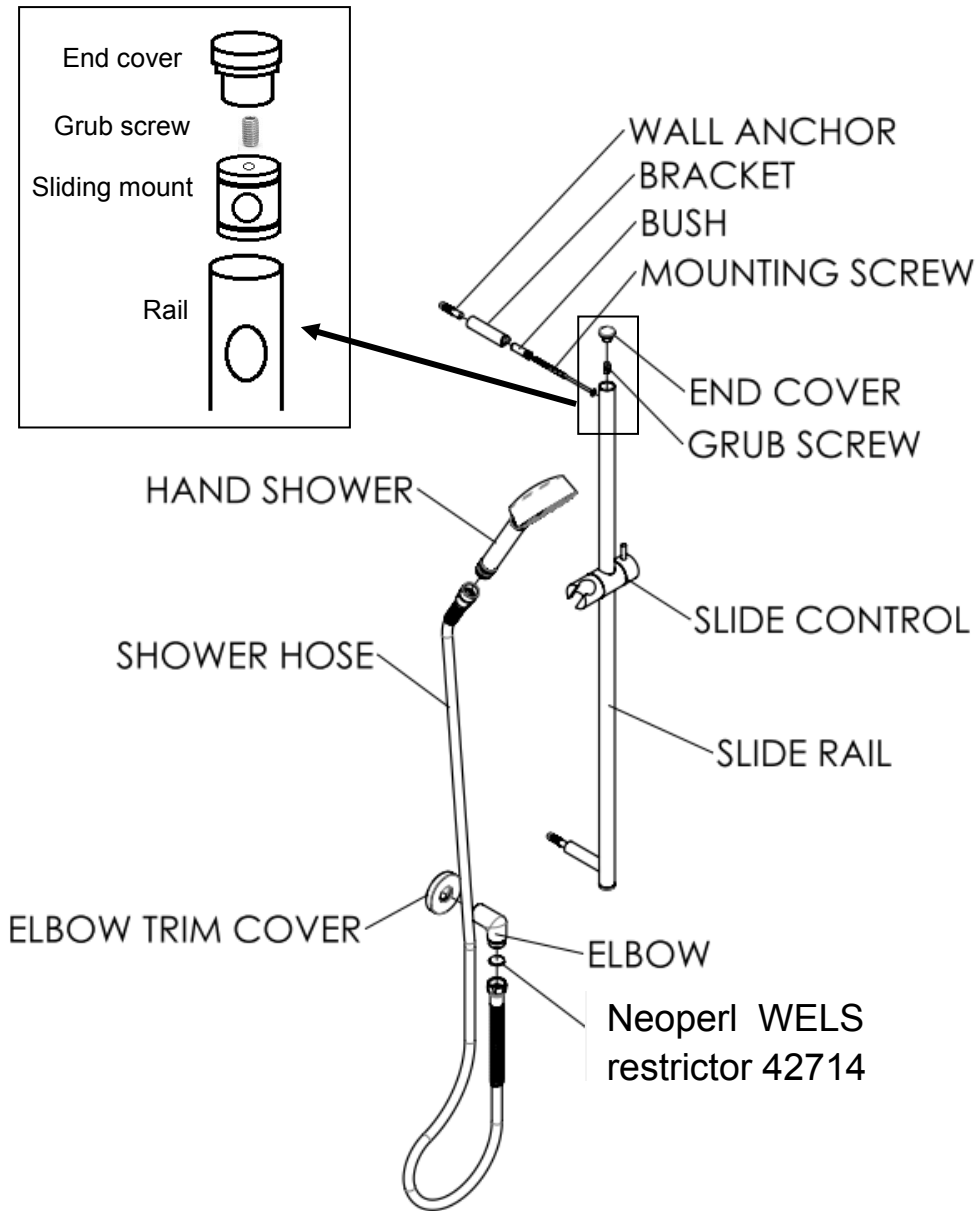
Email: aussales@greenstapware.com

Website: www.greenstapware.com

Service Hotline: 1800 244 992

Technical Data

- Maximum water pressure: 500kpa.
- Pressure over 500kpa will require a limiting valve.
- Installation shall be in accordance with the AS/NZS3500 series of standards.
- Flow rate of 3 star 9 l/m has been rated under the Australian / NZ Water Efficiency Labeling Scheme (WELS).



INSTALLATION INSTRUCTIONS

Install Brackets:

1. **Mark out bracket positions on wall with centres 729mm.**

- a. Note: **Rail has a total of 5mm adjustment.**
- b. Check they are straight on wall.

2. Install top and bottom brackets.

- a. Silicone sealant is recommended to seal the bracket mounts.
- b. Must be attached to a wooden stud or nog.
- c. Wall anchors are provided for masonry walls.

Install Rail:

1. Remove end caps by unscrewing from rail.
2. Install rail to mounts and tighten the grub screw.
 - a. Inside the rail is the sliding mounts, with 2.5mm adjustment each end.
3. Screw the end caps back on.

Install Wall Elbow And Hose:

1. Fit flange over elbow and remove the protective tape from seal.
2. Install wall elbow with 15mm parallel thread (Not supplied) and position flange against wall lining.
3. Additional sealant maybe required for uneven surfaces.

Install Hose And Hand Shower:

1. Hand tighten handset to tapered end of hose and ensure seal washer is in place.
2. Connect nut end of hose to water supply and ensure the sealing washer is in place and lightly nip up with a spanner.