



GISELE SHOWER MIXER
(For Mains Pressure Installations Only)
INSTALLATION INSTRUCTIONS

PRODUCT #
184025760

BATCH #
191120

ATTENTION PLUMBER

To ensure the optimum performance and customer satisfaction please adhere to the following:

- Flush out all pipe work prior to installation
- Installation shall be in accordance with the AS/NZS3500 series of standards.
The maximum operating pressure within any building should not exceed 500kpa.
Pressure above 500kpa can cause damage from water hammer, reducing life of appliances, taps and fittings and cause excessive noise in the plumbing system.
- Pressure over 500kPa will require a limiting valve.
- Inline filters must be installed on both hot and cold supplies.

TECHNICAL DATA

- Minimum Water pressure for satisfactory operation: 150kPa
- Maximum Water pressure: 500kPa
- Maximum hot water temperature: 70°C
If the Water temperature exceeds 70°C an approved Tempering Valve must be fitted.
- Flow rate: 150kpa = 7 l/m, 250kpa = 9 l/m , 350kpa = 11 l/m (Flow pressure).

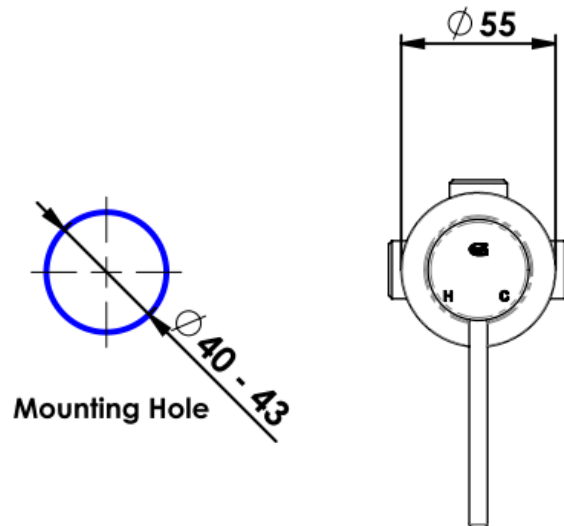
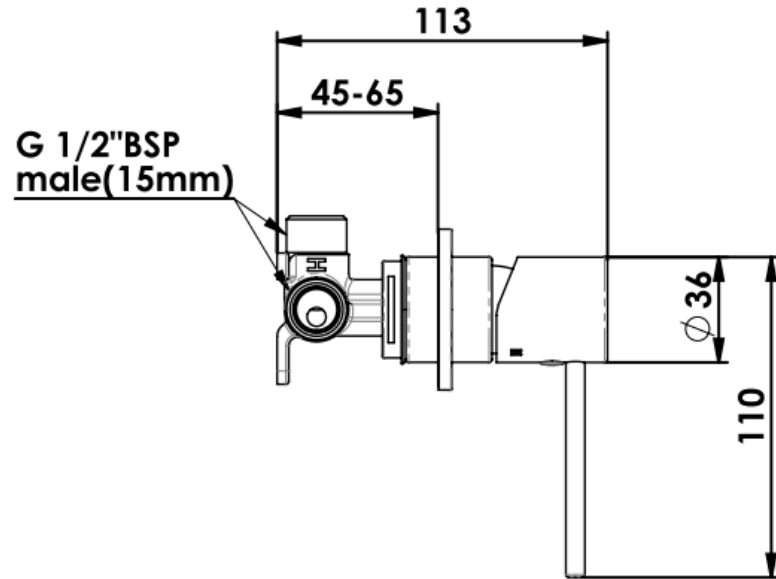
Please leave this form with the product once installed.

For full warranty terms and conditions, please see the warranty card enclosed with this product or visit www.greenstapware.com/warranty-and-care/

Distributed by: Greens Global Limited
PO Box 5055, Hamilton, 3200
22 The Boulevard, Te Rapa, Hamilton 3200
Phone: 07 849 0109, Fax: 07 849 0540
Website: www.greenstapware.com
Email: nzsales@greenstapware.com
Service Hotline: 0800 655 455

INSTALLATION INSTRUCTIONS SHOWER MIXERS

NOTE: Valve mounting 45-65mm behind finished wall.
Cut hole for mixer in the finished wall 40-43mm.
Multi function hand set or duets, min operating pressure 250kPa.



- Position the mixer against a mounting board within the **maximum and minimum depth of 45-65mm** and fix.
 - Ensure the "Hot" (H) inlet, enters from the left, when the outlet to the shower is at the top.
 - Mug guard has minimum and maximum for finished wall.
 - Leave mud guard on valve body until final fit out.
 - Note: Finished wall cut out must be up to the mud guard.**
 - Maximum cut out of 43mm
- Connect water supply to the mixer and from the mixer to the shower outlet.
 - Do not pressure test with valve in the open position when the outlet is closed.**
 - Turn on water supply to the mixer and **check for leaks.**
- Cut out an **access hole in the wall lining for the mixer of 40-43mm** as per drawing, and fix lining in place.
- Install face plate and handle.
 - Remove the mud guard.
 - Remove the protective tape from the seal and slide the faceplate over the mixer body and position against the wall lining.
 - Ensure the drain hole in plate at the bottom.
 - Ensure seal is in place on the inside of plate for valve body.
 - Sealant will be required behind faceplate on uneven surfaces for water seal.
 - Install the handle onto the cartridge lever and tighten the screw under the handle with the 2.5mm Allen key supplied and fit button.

