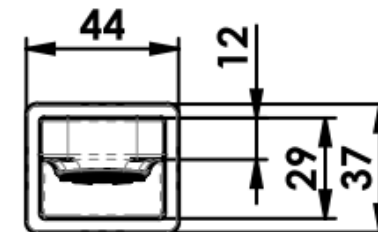
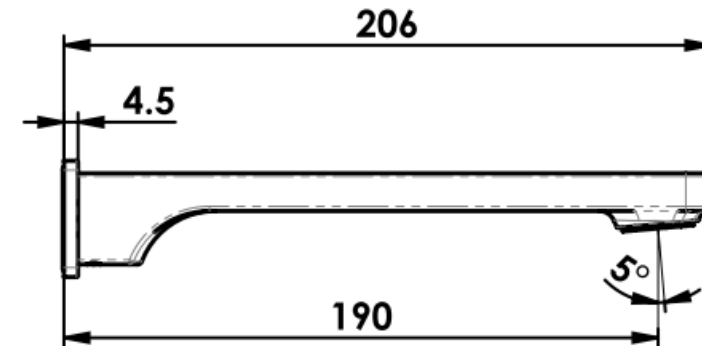




SWEPT WALL MOUNTED BATH SPOUT INSTALLATION INSTRUCTIONS

PRODUCT #

BATCH #



Please contact country of purchase.

NZ

Distributed by: Greens Global Limited

PO Box 5055, Hamilton, 3200

22 The Boulevard, Te Rapa, Hamilton 3200

Phone: 07 849 0109, Fax: 07 849 0540

Website: www.greenstapware.com

Email: nzsales@greenstapware.com

Service Hotline: 0800 655 455

Australia:

Distributed by: Greens Global (Australia) Ltd

10/101 Wedgewood Rd, Hallam, Victoria 3803

Phone: 1800 244 487 Fax: 1800 244 212

Email: aussales@greenstapware.com

Website: www.greenstapware.com

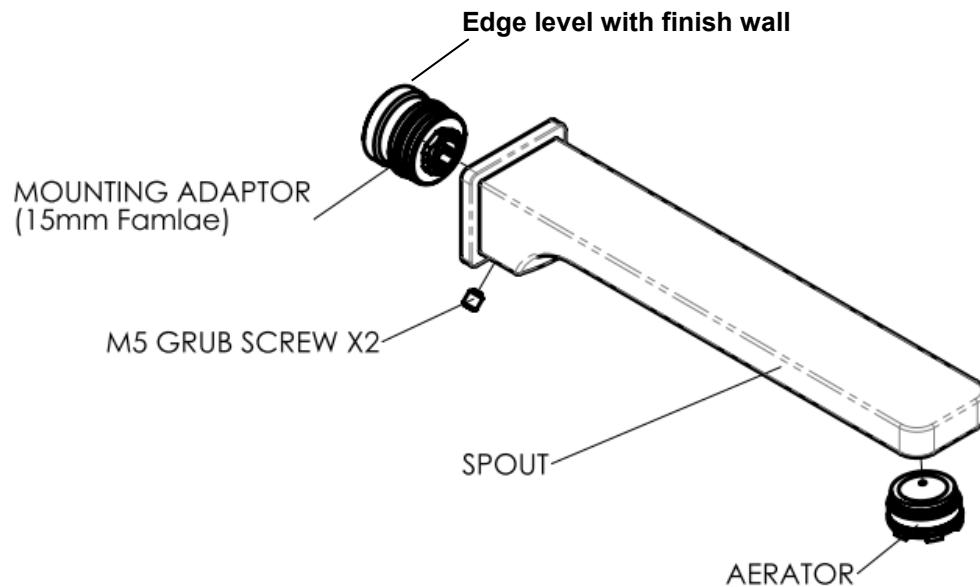
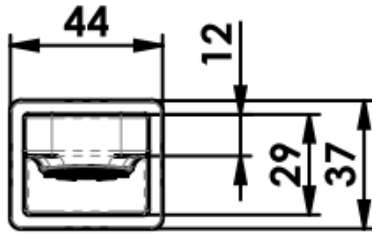
Service Hotline: 1800 244 992

Installation shall be in accordance with the AS/NZS3500 series of standards.

Please leave this instruction sheet with the customer.

INSTALLATION INSTRUCTIONS

NOTE: For finished wall, please refer to drawing to ensure the flange covers the mounting hole.



Install a brass 15mm male wingback elbow (not supplied).

1. Note: Mounting adaptor requires **MAX 15mm thread from finished wall**.

Install the female mounting adaptor.

1. Remove the 15mm female mounting adaptor by unscrewing the grub screws under the spout until nearly out.
 - a. This is to ensure the O-ring on the adaptor is not cut.
2. Cut the inlet thread to MAX 15mm from finished wall.
3. Install using a spanner or a 10mm Allen key.
 - a. **Back edge of the adaptor to be level with the finished wall as shown.**

Install spout.

1. Grease the O-ring on adaptor.
2. Install spout to mounting adaptor and tighten the grub screws.
 - a. **Check the grub screws are not protruding into the bore**, to ensure the O-ring on the adaptor is not cut.
 - b. Ensure the O-ring seal is on the spout trim.