



SWEPT BASIN MIXERS **(For Mains Pressure Installations Only)** **INSTALLATION INSTRUCTIONS**

PRODUCT #

BATCH #

ATTENTION PLUMBER

To ensure the optimum performance and customer satisfaction please adhere to the following:

- Flush out all pipe work prior to installation
- Installation shall be in accordance with the AS/NZS3500 series of standards.
The maximum operating pressure within any building should not exceed 500kpa.
Pressure above 500kpa can cause damage from water hammer, reducing life of appliances, taps and fittings and cause excessive noise in the plumbing system.
- Pressure over 500kPa will require a limiting valve.
- Inline filters must be installed on both hot and cold supplies.

TECHNICAL DATA

- Minimum Water pressure for satisfactory operation: 150kPa
- Maximum Water pressure: 500kPa
- Maximum hot water temperature: 70°C
If the Water temperature exceeds 70°C an approved Tempering Valve must be fitted.
- The flow rate of the sink and basin mixers has been rated under the Australian and NZ Water Efficiency Labeling Scheme (WELS).

Please leave this form with the product once installed.

For full warranty terms and conditions, please see the warranty card enclosed with this product or visit www.greenstapware.com/warranty-and-care/

Please contact country of purchase.

NZ

Distributed by: Greens Global Limited

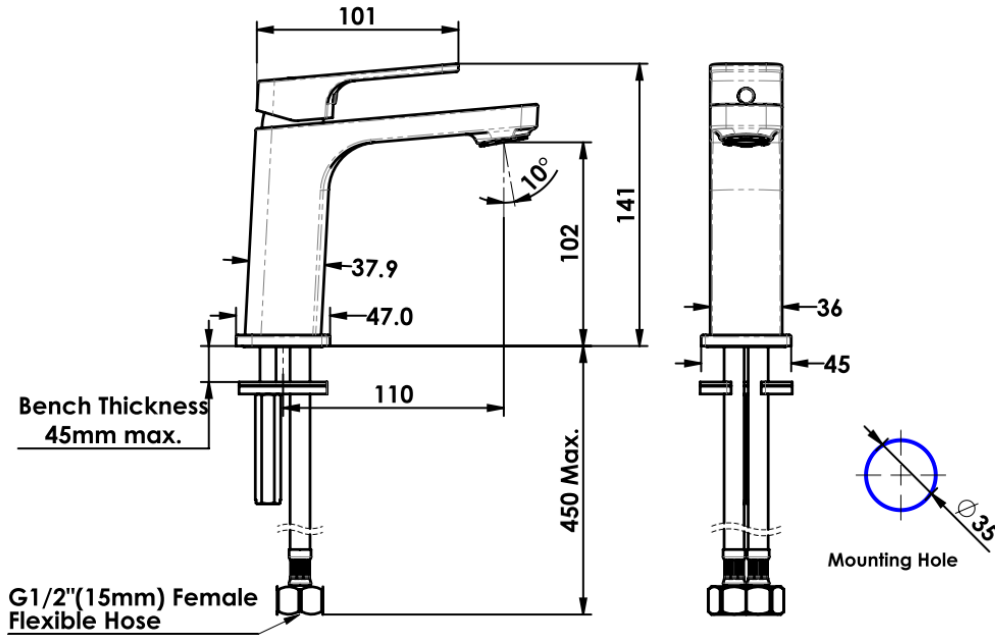
PO Box 5055, Hamilton, 3200
22 The Boulevard, Te Rapa, Hamilton 3200
Phone: 07 849 0109, Fax: 07 849 0540
Website: www.greenstapware.com
Email: nzsales@greenstapware.com
Service Hotline: 0800 655 455

Australia:

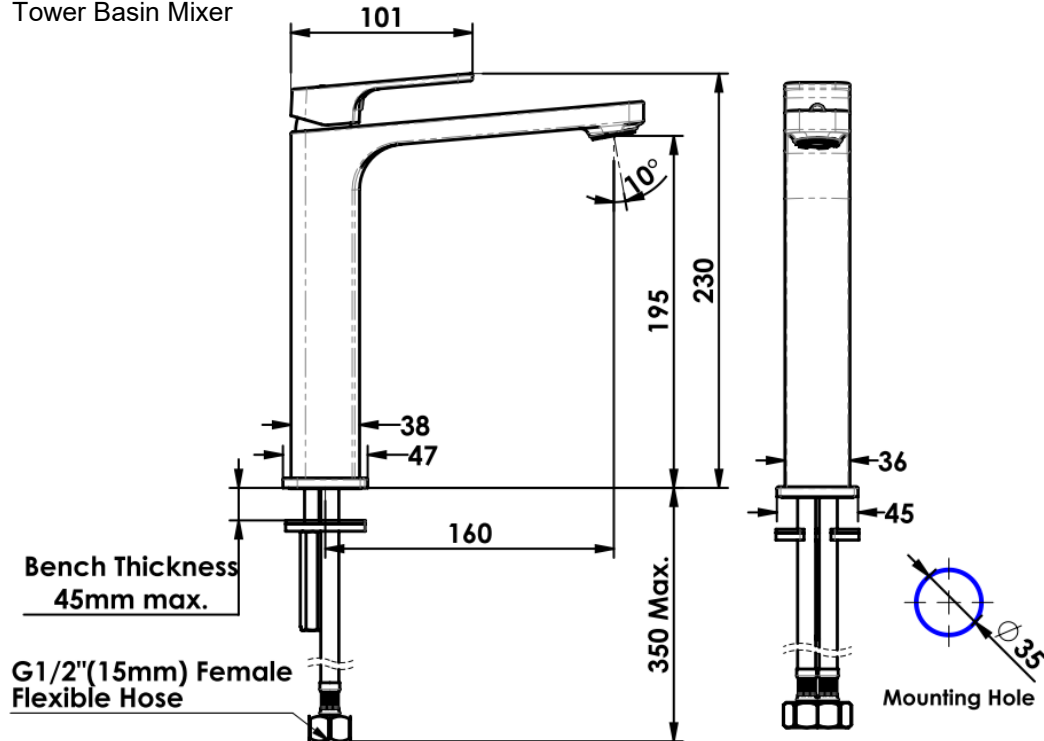
Distributed by: Greens Global (Australia) Ltd

10/101 Wedgewood Rd, Hallam, Victoria 3803
Phone: 1800 244 487 Fax: 1800 244 212
Email: aussales@greenstapware.com
Website: www.greenstapware.com
Service Hotline: 1800 244 992

Basin Mixer



Tower Basin Mixer



INSTALLATION INSTRUCTIONS BASIN MIXER

Note: Fits Maximum Bench thickness of 45mm.

To install mixer, cut a mounting hole 35mm in diameter in the bench surface.

1. Unscrew mounting nut and remove steel washer and rubber washer from mounting thread.
2. Ensure **seal** is sitting in groove in the base flange of mixer.
3. Lower fitted hoses into the mounting hole and position mixer in bench top.
 - a. If mounting hole is less than 35mm, remove one of the hoses by unscrewing anti-clockwise and feed the hose up from under the bench and **hand tighten** clock-wise into the inlet of mixer.
4. From under bench, install the **rubber washer** then the **steel washer** over mounting thread and screw the **mounting nut** to mounting thread. **Tighten** with 11mm tube spanner and secure the mixer to the bench.
5. **Connect flexi hoses** to water supply.
 - a. The union nuts must be connected to 15mm thread fittings which have a **machined end face with a chamfer, not "sawn off" threaded tube.**
 - b. **Do not over tighten the nuts.**
 - i. Hand tighten then 1/4 turn with spanner.
 - c. **Do not kink, stretch or twist**, any bends in the flexible hose should have radius of no less than 85mm.
6. Turn on water supply and **check for leaks.**
7. To clean aerator at outlet, remove by turn anti-clockwise using tool supplied.

BENCH TOPS

- ◆ Formica/wooden bench tops, extra mounting support is required below the bench.
- ◆ Stainless steel bench tops ensure the mounting washer is against the S/Steel.
- ◆ Vitreous china tops additional sealant maybe required at the base of the mixer to ensure a water tight seal.