

After installation:

1. Test the faucet for leaks.

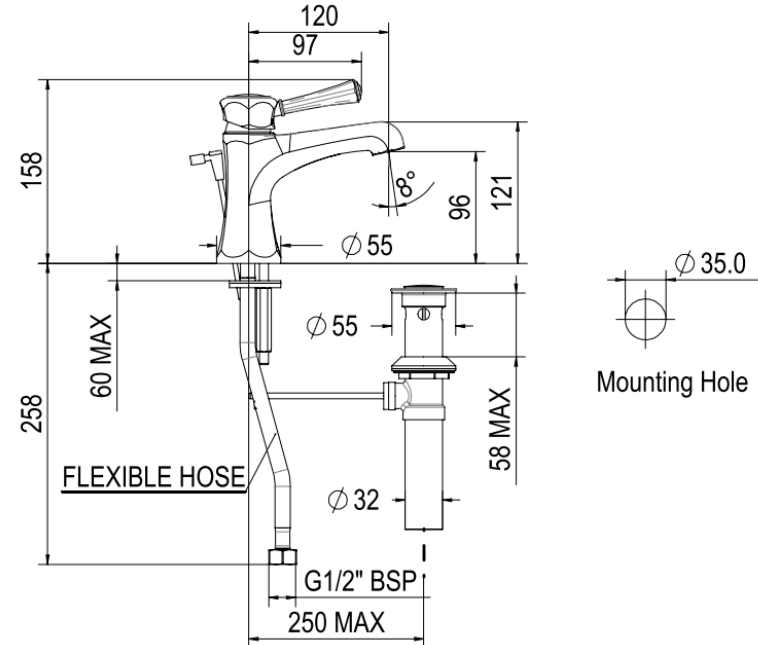
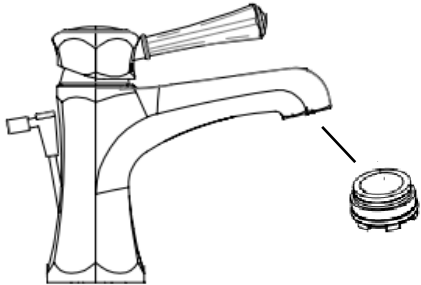
Test the pop-up escutcheon for leaks with the water running.



POLARO BASIN MIXER WITH POP-UP WASTE INSTALLATION INSTRUCTIONS

WELS

On mains pressure systems to achieve the WELS 4 star rating 7.5 l/m, the aerator at the end of the spout needs to be replaced. Unscrew the aerator anti-clockwise and replace with the WELS rated aerator using the tool supplied.



ATTENTION PLUMBER

To ensure the optimum performance and customer satisfaction please adhere to the following:

- Flush out all pipe work prior to installation
- Installation shall be in accordance with the AS/NZS3500 series of standards.
The maximum operating pressure within any building should not exceed 500kpa. Pressure above 500kpa can cause damage from water hammer, reducing life of appliances, taps and fittings and cause excessive noise in the plumbing system.
- Pressure over 500kPa will require a limiting valve.
- Inline filters must be installed on both hot and cold supplies.

TECHNICAL DATA

- Minimum Water pressure for satisfactory operation: 35Pa
- Maximum Water pressure: 500kPa
- Maximum hot water temperature: 70°C
If the Water temperature exceeds 70°C an approved Tempering Valve must be fitted.
- The flow rate of the sink and basin mixers has been rated under the NZ Water Efficiency Labeling Scheme (WELS).

Please leave this form with the product once installed.

Distributed by: Greens Global Limited
PO Box 5055, Hamilton, 3200
22 The Boulevard, Te Rapa, Hamilton 3200
Phone: 07 849 0109, Fax: 07 849 0540
Website: www.greenstapware.com
Email: nzsales@greenstapware.com
Service Hotline: 0800 655 455

PRODUCT #

2301423

BATCH #

121120

For full warranty terms and conditions, please see the warranty card enclosed with this product or visit www.greenstapware.com/warranty-and-care/

Installation Instructions

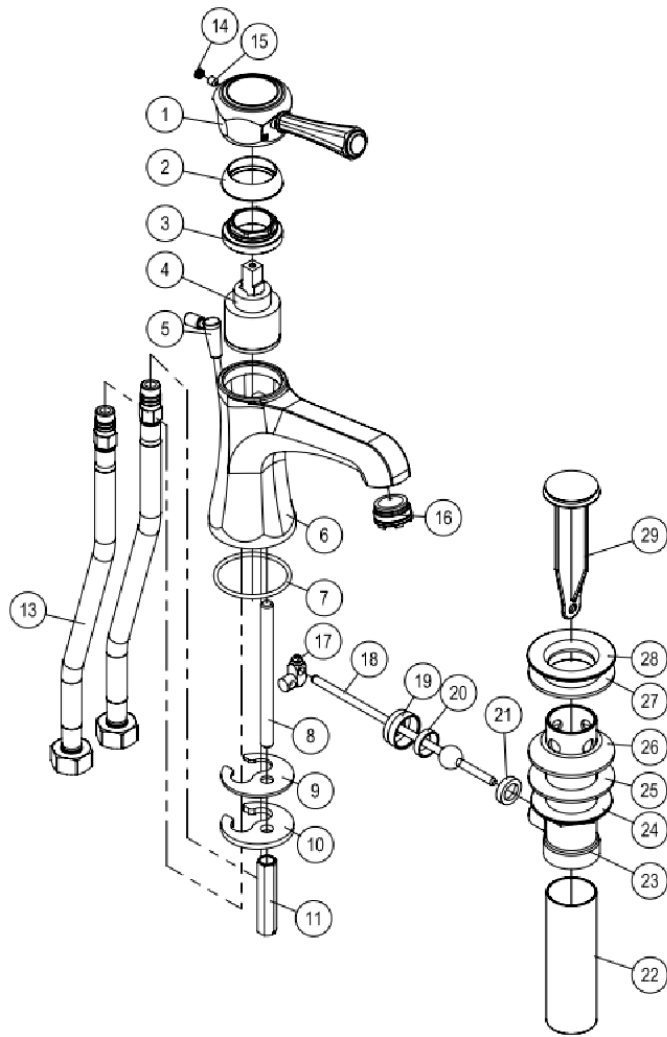
Flush out all pipework to remove any foreign material.

Installing Faucet: (35mm cut-out)

1. Remove ONE of the hoses #13 by unscrewing counter-clockwise.
2. Remove mounting parts #9, #10 and #11 from faucet.
3. Check mounting stud #8 is **tight** in faucet.
4. Lower fitted flexi hose connected to the faucet into bench top until nut end of hose is below the deck and lay faucet on top of the deck.
5. From below the deck:
 - a. Feed the other flexi hose #13 through the mounting hole.
 - b. Hand tighten flexi hose into the open inlet of faucet.
 - c. Ensure the base o-ring #7 is in place.
 - i. Note: Additional sealing, water proof, silicone may be needed to make a seal under the faucet if the mounting surface or hole is uneven. (Not included.)
6. Install the crescent rubber washer #9, the crescent steel washer #10 and the threaded nut #11 from below the deck.
 - a. Position the faucet and tighten threaded nut #11 with the tool supplied.
 - b. Do not over tighten.
7. Connect flexi hoses to water supply.
 - a. The union nuts must be connected to 15mm thread fittings which have a **machined end face with a chamfer, not "sawn off" threaded tube.**
 - b. **Do not over tighten the nuts.**
 - i. Hand tighten then 1/4 turn with spanner.
 - c. **Do not kink, stretch or twist**, any bends in the flexible hose should have radius of less than 85mm.

Installing the Pop-up Escutcheon:

1. Remove the upper deck assembly #27 through #29 from the threaded pop-up waste body #23.
 - a. Adjust the cone washer #26, plastic friction washer #25 and mounting nut #24 and install the assembly from the below the sink.
 - b. Install the pop-up escutcheon #28 with the rubber washer #27 from above the sink.
 - i. Note: Sealing, water proof, silicone may be needed to make a seal in the sink. (Not included.)
2. Tighten the cone washer #26, plastic friction washer #25 and mounting nut #24.
3. **Do not over tighten.** Install the horizontal pop-up rod into the washer fitting.
 - a. Note: the knurled cap nut #19 has a two-piece plastic seal #20 and #21 for the horizontal pop-up rod ball fitting. Install the ball in-between the two pieces #20 and #21 and tighten.
4. **Do not over tighten.** Over tightening may cause a stiff pop-up rod assembly.
4. Install the decorative vertical pop-up rod #5 to faucet and connect to the horizontal pop-up rod using the brass connector #17.



1	LEVER	16	AERATOR - #42620
2	ESCUTCHEON	17	BRASS CONNECTOR
3	CARTRIDGE NUT	18	JUMPER POLE
4	CARTRIDGE - 35MM #261914	19	KNURLED CAP NUT
5	POP-UP WASTE ROD	20	BREARING WASHER
6	BODY	21	BREARING WASHER
7	'O' RING	22	TAIL TUBE
8	MOUNTING STUDS	23	POP-UP WASTE BODY
9	CRESCENT RUBBER WASHER	24	MOUNTING NUT
10	CRESCENT STEEL WASHER	25	PLASTIC FRICTION WASHER
11	THREADED NUT - M8	26	CONE WASHER
13	M10-G1/2" HOSE	27	UPPER RUBBER WASHER
14	CHROME BUTTON	28	POP-UP ESCUTCHEON
15	GRUB SCREW - M5	29	JUMPER