



ASTRO II WALL BASIN / BATH MIXER **(For Mains Pressure Installations Only)** **INSTALLATION INSTRUCTIONS**

PRODUCT #

BATCH #

ATTENTION PLUMBER

To ensure the optimum performance and customer satisfaction please adhere to the following:

- **Flush out all pipe work prior to installation.**
- Installation shall be in accordance with the AS/NZS3500 series of standards.
The maximum operating pressure within any building should not exceed 500kpa.
Pressure above 500kpa can cause damage from water hammer, reducing life of appliances, taps and fittings and cause excessive noise in the plumbing system.
- Pressure over 500kPa will require a limiting valve.
- Inline filters must be installed on both hot and cold supplies (Not supplied).

TECHNICAL DATA

- **Suitable for use with high pressure water supply only.**
Not suitable for gravity-fed water heaters, low and unequal pressure networks
- Minimum Water pressure for satisfactory operation: 150kPa
- Maximum Water pressure: 500kPa
- Maximum hot water temperature: 70°C
If the Water temperature exceeds 70°C an approved Tempering Valve must be fitted.
- The flow rate of the sink and basin mixers has been rated under the Australian and NZ Water Efficiency Labeling Scheme (WELS).

Please contact country of purchase.

Distributed by: Greens Global AUS PTY LTD

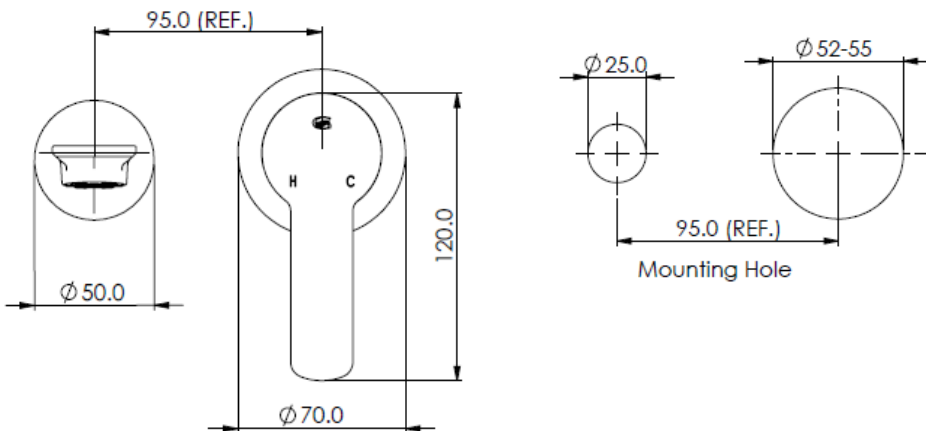
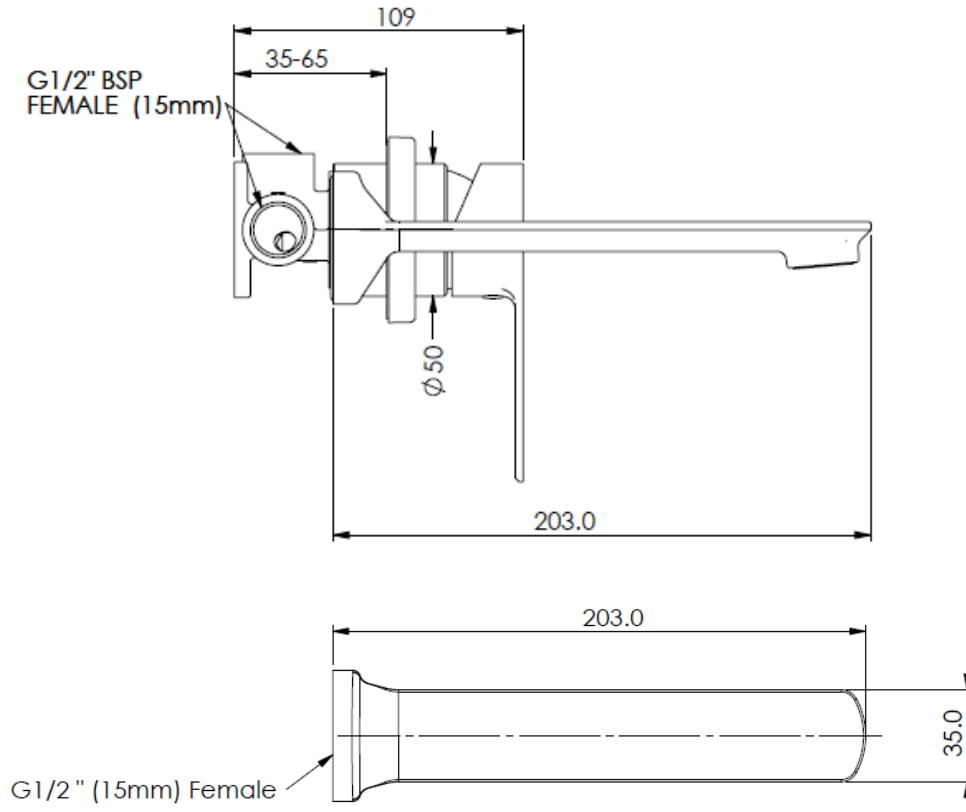
36 Naxos Way, Keysborough VIC 3173
Phone: 1800 244 487 Fax: 1800 244 212
Email: aussales@greenstapware.com
Website: www.greenstapware.com
Service Hotline: 1800 244 992

Distributed by: Greens Global Limited

PO Box 5055, Hamilton, 3200
22 The Boulevard, Te Rapa, Hamilton 3200
Phone: 07 849 0109, Fax: 07 849 0540
Website: www.greenstapware.com
Email: nzsales@greenstapware.com
Service Hotline: 0800 655 455

Please leave this form with the product once installed.

For full warranty terms and conditions, please see the warranty card enclosed with this product or visit www.greenstapware.com/warranty-and-care/



INSTALLATION INSTRUCTIONS

Installing Shower Body:

Note: The mixer can be mounted behind the finished wall surface 35-65 mm.

Locate the correct position of the mixer by ensuring the “Hot” (H) inlet, enters from the left, when the outlet to the spout is at the top.

1. Position the mixer against a mounting board within the maximum and minimum depth allowed and fix.
2. Connect water supply to the mixer.

Installing Bracket Elbow For Spout (not supplied):

1. Install a brass 15mm female wingback elbow for spout position and connect water supply from mixer outlet to elbow.
 - a. 95mm in the drawing from mixer to spout is for a guide only.
 - b. **Check alignment of mixer body and wall elbow.**

2. Plug off elbow for water test.
3. Turn on water supply on and check for leaks.

Do not pressure test with valve in the open position when outlet is closed.

Install Cover Plate & Handle:

1. Cut out mounting hole in finished wall for **body 52-55mm** as per drawing.
2. To secure the faceplate to the wall, remove the protective tape from the seal and slide the faceplate over mixer body and position against the finished wall.
 - a. Drain hole / gap in seal is at the bottom.
3. Fit the handle onto the cartridge lever and tighten the screw under the handle and fit button.

Install Spout:

1. **Minimum 10mm thread length of 15mm parallel thread from finished wall .**
(Thread not supplied).
 - a. Ensure seal is in place.
 - b. Additional sealant is required for uneven surfaces.

WELS & Bath Installations:

Mixer is set up for basin installations with a 5 Star rating 6.0 l/m aerator.

For bath installations remove the 4 star rated aerator by unscrewing anti-clockwise and replace with flow straightener, using tool supplied.

