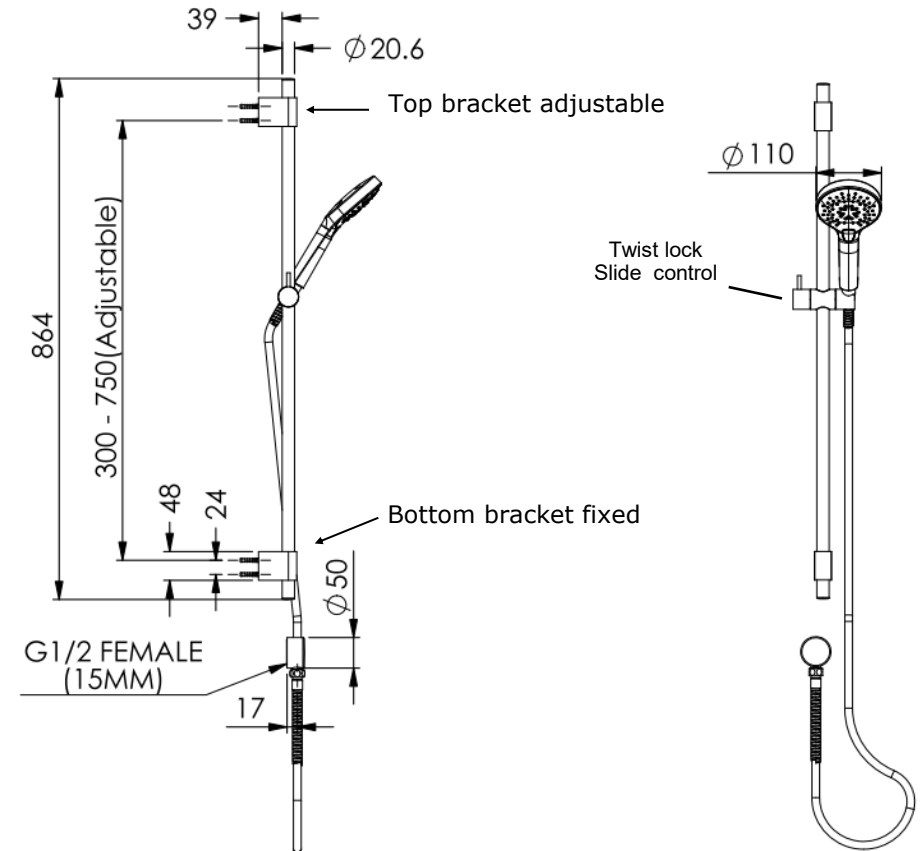




GLINT AirFlo™ ADJUSTABLE RAIL SHOWER INSTALLATION INSTRUCTIONS

PRODUCT #

BATCH #



Please contact country of purchase .

NZ:

Distributed by: Greens Global Limited
PO Box 5055, Hamilton, 3200
22 The Boulevard, Te Rapa, Hamilton 3200
Phone: 07 849 0109, Fax: 07 849 0540
Website: www.greenstapware.com
Email: nzsales@greenstapware.com
Service Hotline: 0800 655 455

Distributed by: Greens Global AUS PTY LTD

36 Naxos Way, Keysborough VIC 3173
Phone: 1800 244 487 Fax: 1800 244 212
Email: aussales@greenstapware.com
Website: www.greenstapware.com
Service Hotline: 1800 244 992

Technical Data:

- Minimum Water pressure: 150kPa
- Maximum Water pressure: 500Pa
- Maximum hot water temperature: 70°C
If the Water temperature exceeds 70°C an approved Tempering Valve must be fitted.
- Installation shall be in accordance with the AS/NZS3500 series of standards.
- Flow rate of 3 star 9 l/m has been rated under the Australian Water Efficiency Labeling Scheme (WELS).

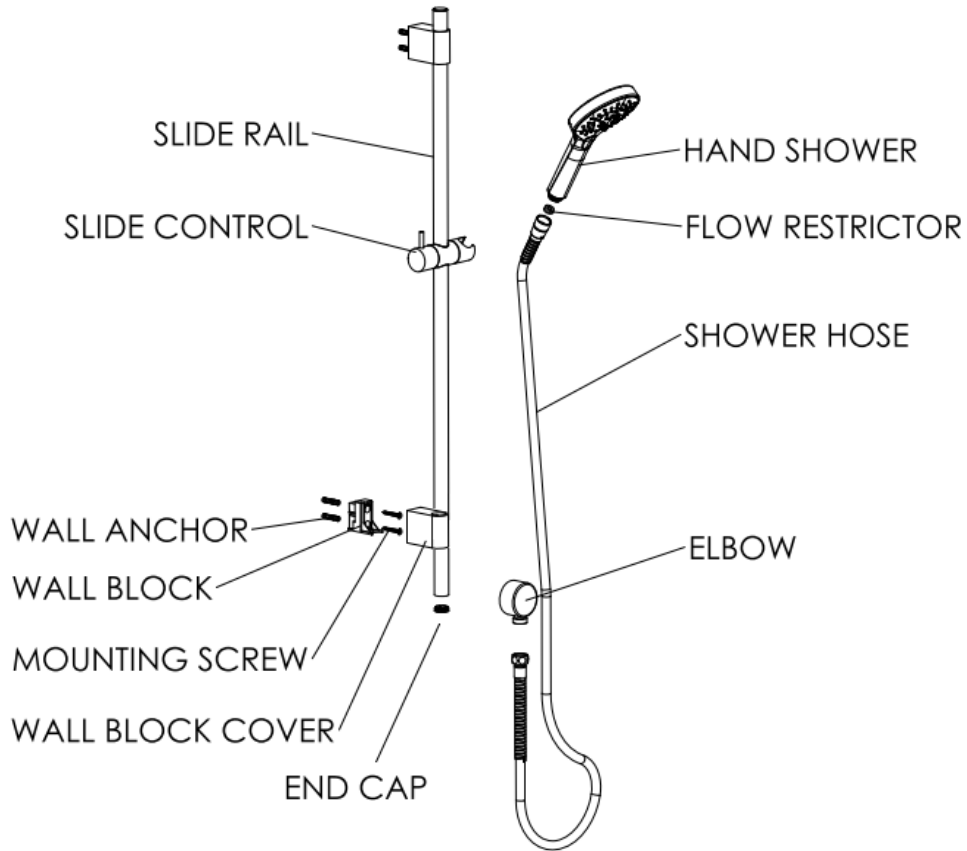
INSTALLATION INSTRUCTIONS

Install Rail:

1. Mark out the wall block positions.
 - a. With **MAX 750mm centres**.
 - b. Top bracket is adjustable to 750mm centres.
 - c. Check they are straight on wall.
2. Install top and bottom wall blocks.
 - a. 2 screws are required for each wall block.
 - b. Silicone sealant is recommended to seal behind the wall blocks for water seal.
 - c. Must screw into a wooden stud or nog.
 - d. Wall anchors are provided for masonry walls.
4. Position bottom wall block cover onto rail as shown and secure to rail.
 - a. **NOTE: Secure to rail by tightening the grub screw inside cover**
5. Install rail to the wall blocks.
 - a. Bottom Fixing: Install wall block cover with rail down onto the wall block.
 - b. Top Fixing: Slide wall block cover down rail and install onto the wall block.

Install Wall Elbow And Hand Shower:

1. Install wall elbow with 15mm parallel thread (Thread not supplied).
 - a. Ensure O-ring seal is in place.
 - b. Additional sealant maybe required for uneven surfaces.
2. Hand tighten handset to tapered end of hose and ensure seal washer is in place.
3. Connect nut end of hose to water supply and ensure the sealing washer is in place and lightly nip up with a spanner.



Brackets

