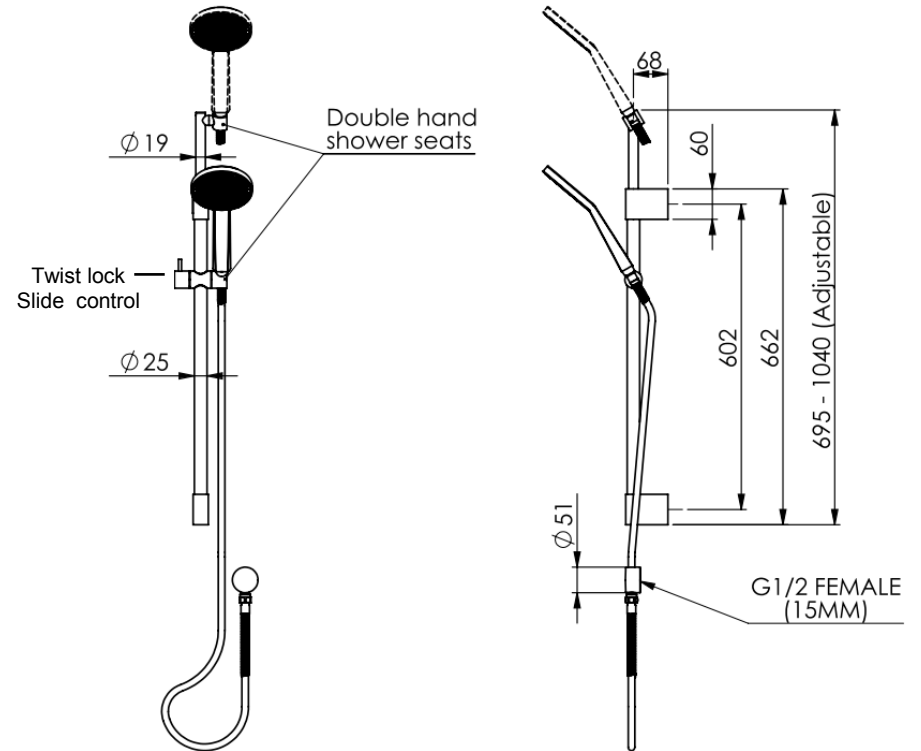




GLIDE RainBoost® TELESCOPIC RAIL SHOWER
 (All Pressure Installations)
 INSTALLATION INSTRUCTIONS

PRODUCT #

BATCH #



Technical Data:

Low Pressure: Recommend to be installed with a FloBOOST shower mixer.

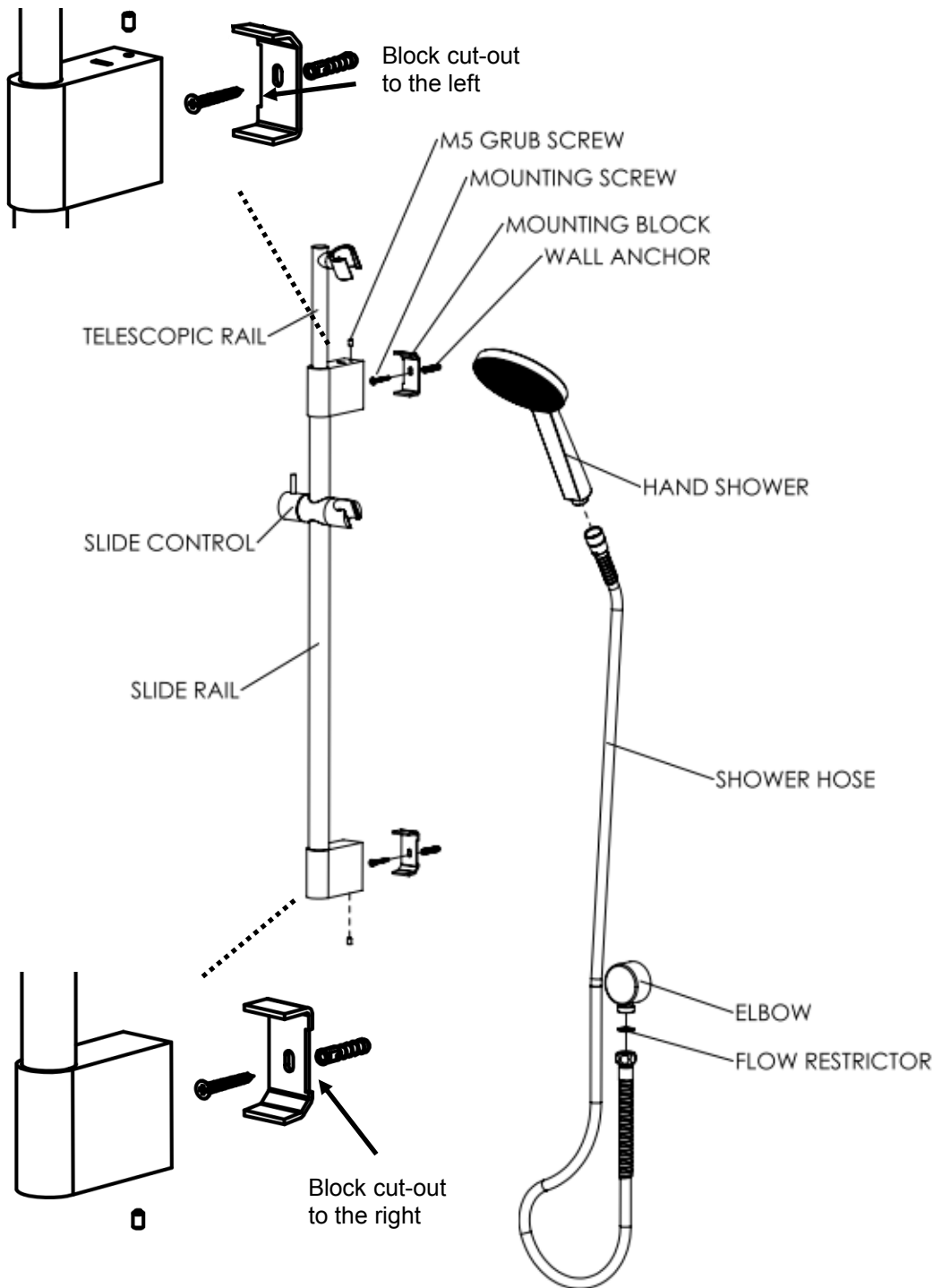
Unequal Low Pressure:

- Minimum **hot** water pressure (Only with a FloBOOST). 10Kpa (flow pressure)
- Minimum **cold** water pressure (Only with a FloBOOST). 200kpa (flow pressure)
- Maximum cold water pressure. 500kpa

Equal Pressure - Low & Mains:

- Minimum water pressure. 20kpa (flow Pressure)
- Maximum Water pressure. 500kpa
- Pressure over 500kpa will require a limiting valve.
- Installation shall be in accordance with the AS/NZS3500 series of standards.

Distributed by: Greens Global Limited
 PO Box 5055, Hamilton, 3200
 22 The Boulevard, Te Rapa, Hamilton 3200
 Phone: 07 849 0109, Fax: 07 849 0540
 Website: www.greenstapware.com
 Email: nzsales@greenstapware.com
Service Hotline: 0800 655 455



INSTALLATION INSTRUCTIONS

Install Rail:

1. Mark out the mounting block positions.
 - a. With **602mm centres fixed**
 - i. **NOTE:** There is **no adjustment** for wall brackets.
 - b. Telescopic rail is adjustable to 1040mm to hose holder (refer drawing on front page).
 - i. To adjust height, push in button at left hand side of top mounting bracket and pull up.
 - c. Check they are straight on wall.
2. Install top and bottom wall blocks.
 - a. Remove the mounting blocks from rail by backing off the grub screw.
 - b. Screw mounting blocks to wall as per shown in drawing.
 - i. **NOTE: Top block with cut-out to the left.**
 - ii. **NOTE: Bottom block with cut-out to the right.**
 - c. Must screw into a wooden stud or nog.
 - d. Wall anchors are provided for masonry walls.
3. Install rail to the mounting blocks and tighten the grub screws.
 - a. Sealant is require behind wall brackets for water seal.

Install Wall Elbow:

1. Install the wall elbow with 15mm parallel thread (Not supplied) .
 - a. Ensure O-ring seal is in place.
 - b. Additional sealant maybe required for uneven surfaces.

Install Hand Shower And Hose:

1. Hand tighten handset to tapered end of hose and ensure seal washer is in place.
2. Connect nut end of hose to water supply and ensure the sealing washer is in place and lightly nip up with a spanner.

WELS – Mains pressure only

To achieve the 3 star 9.0 l/m rating install the WELS restrictor washer between the **wall elbow outlet thread and hose.**

Top side with O-ring facing upwards.

