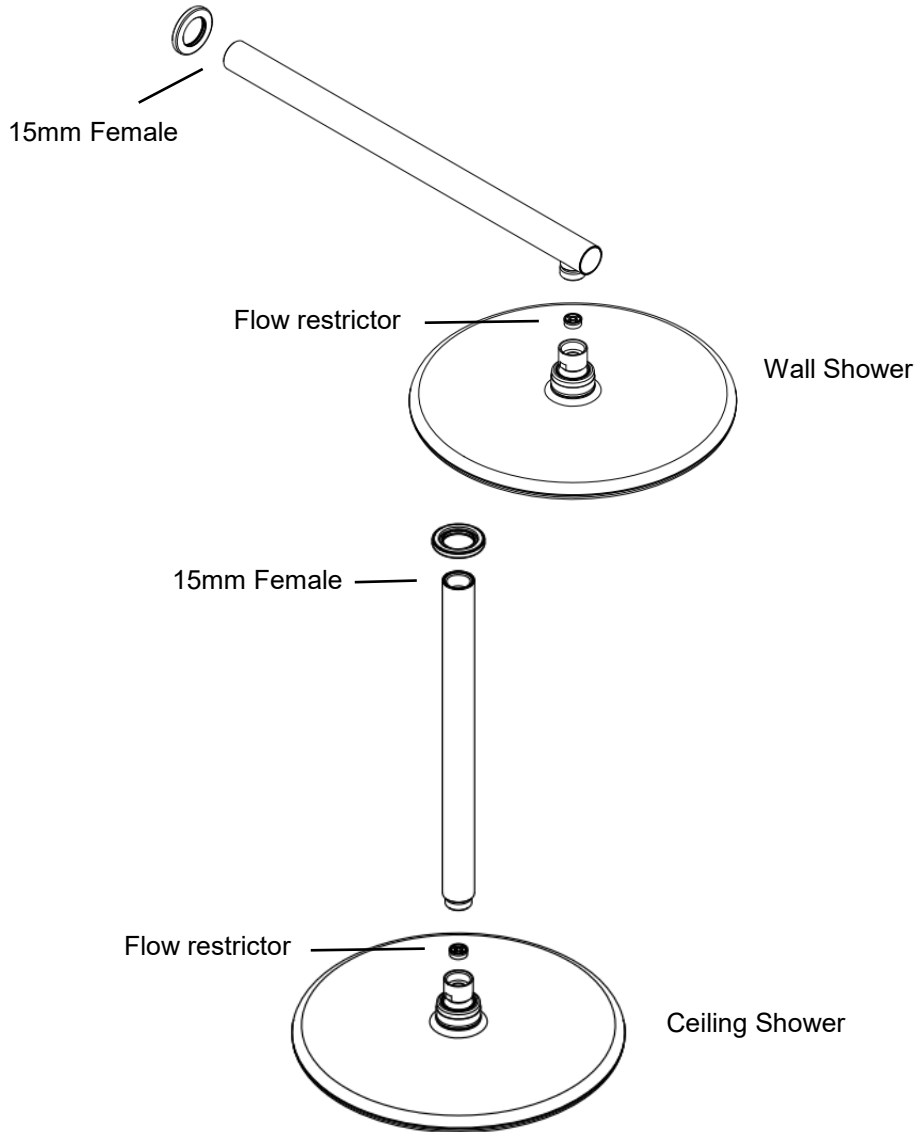


INSTALLATION INSTRUCTIONS



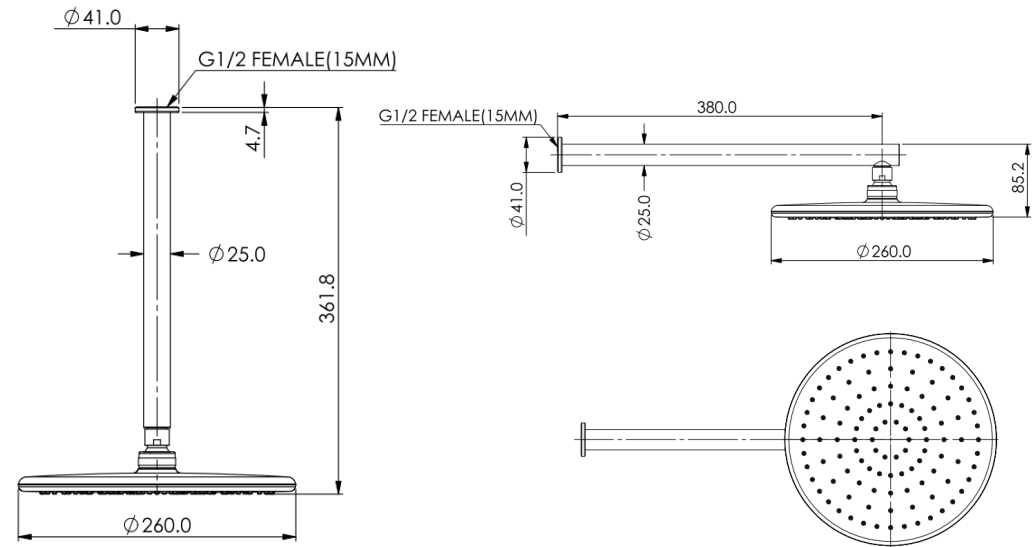
1. Position trim ring over the wall arm and remove the protective tape from seal on trim ring.
2. Install shower arm to 15mm male parallel thread (not supplied) and position the trim ring against the wall lining.
 - a. Max 15mm thread from finished wall.
 - b. Additional sealant maybe required for uneven surfaces.
3. Install overhead to arm and ensure washer seal is in place.



GLINT OVERHEAD WALL & CEILING SHOWERS INSTALLATION INSTRUCTIONS

PRODUCT #

BATCH #



Technical Data

- **Suitable for use with high pressure water supply only.**
Not suitable for gravity-fed water heaters, low and unequal pressure networks.
- Minimum water pressure - 150kPA
- Maximum water pressure - 500kpa.
- If pressure over 500kpa will require a limiting valve.
- Installation shall be in accordance with the AS/NZS3500 series of standards.
- Flow rate of 3 star 9 l/m has been rated under the Australian & NZ Water Efficiency Labeling Scheme (WELS).

Please contact country of purchase.

Distributed by: Greens Global AUS PTY LTD

36 Naxos Way, Keysborough VIC 3173
Phone: 1800 244 487 Fax: 1800 244 212
Email: aussales@greenstapware.com
Website: www.greenstapware.com

Service Hotline: 1800 244 992

NZ

Distributed by: Greens Global Limited
PO Box 5055, Hamilton, 3200
22 The Boulevard, Te Rapa, Hamilton 3200
Phone: 07 849 0109, Fax: 07 849 0540
Website: www.greenstapware.com
Email: nzsales@greenstapware.com
Service Hotline: 0800 655 455