

Install Hose And Roses:

1. Install hose and ensure sealing washers are in place.
 - a. Nut end to lower outlet on rail and tapered end to the hand set.
2. Install over head rose to rail and hand set to hose and ensure sealing washer is in place.

Diverter Operation:

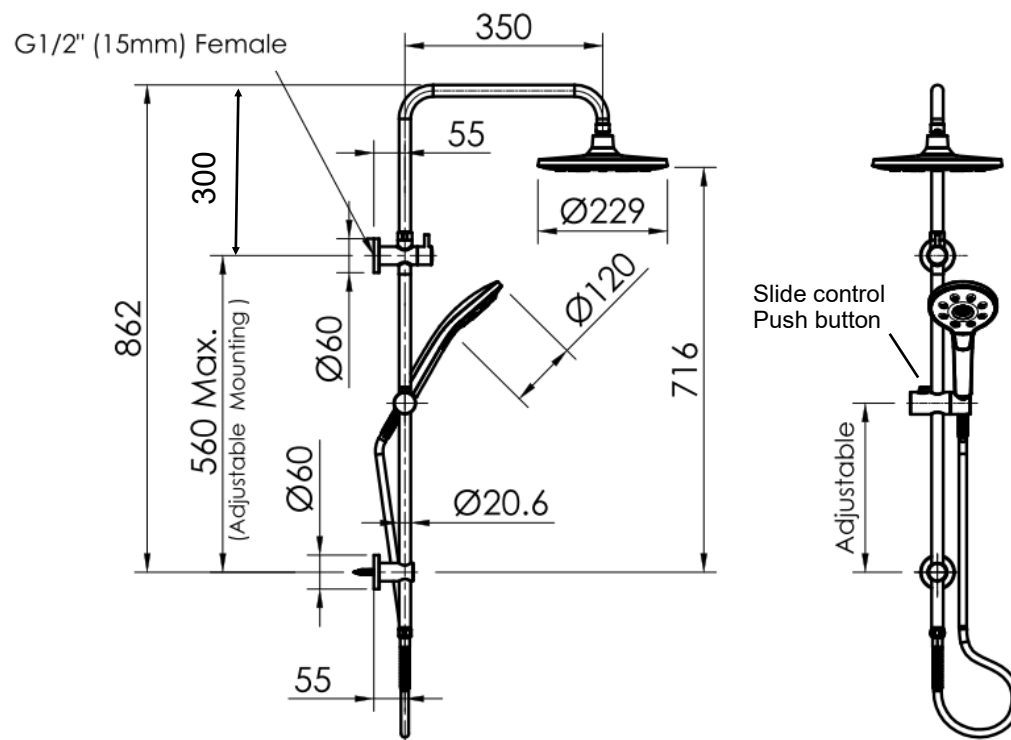
1. The diverter is a manual operation turn handle either to the left or to the right.
2. **NOTE: This is not a shut off valve, must always shut off at mixer after use.**



ASTRO II, ROCCO TWIN RAIL SHOWER INSTALLATION INSTRUCTIONS

PRODUCT #

BATCH #



Please contact country of purchase.

NZ

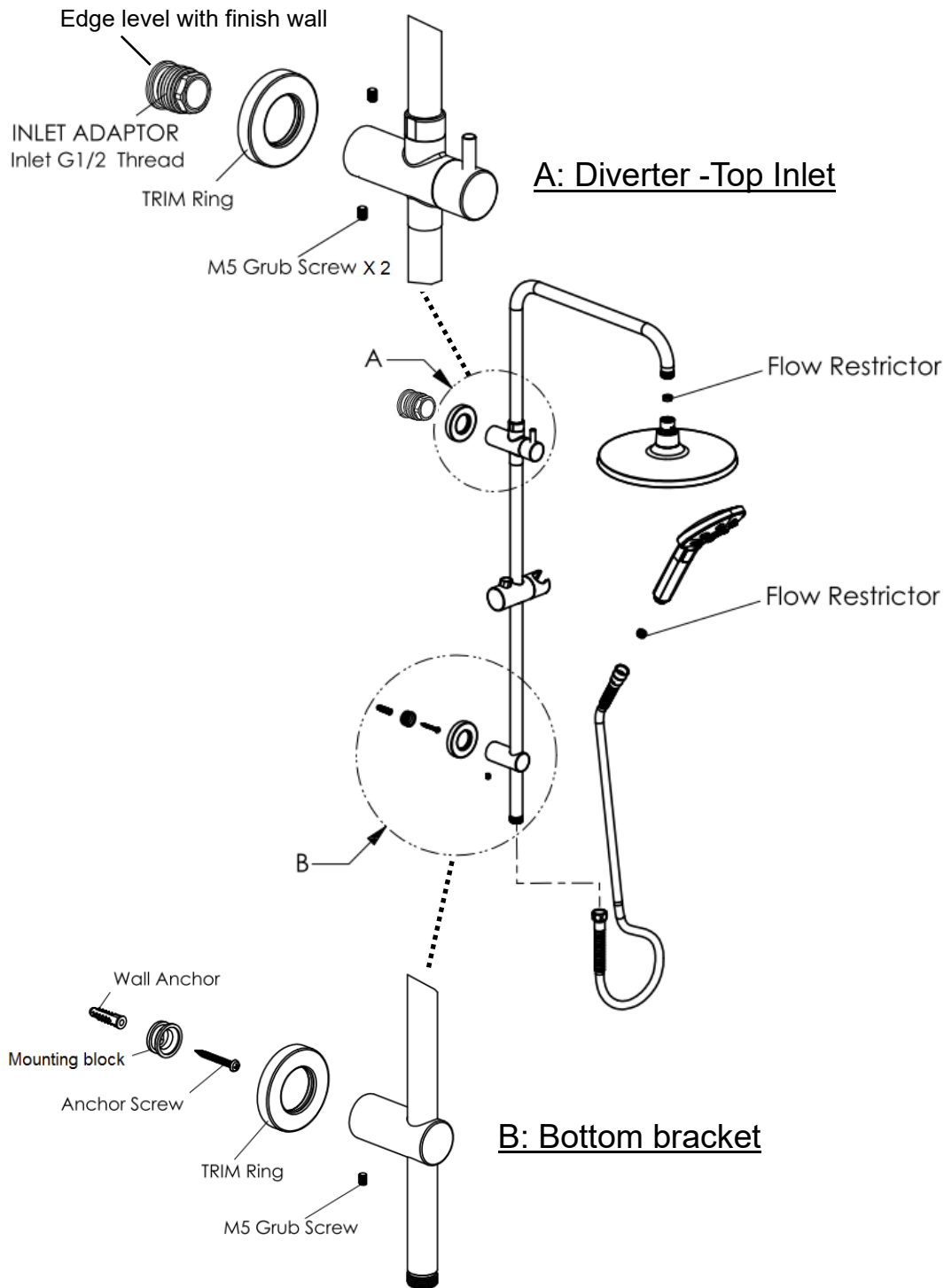
Distributed by: Greens Global Limited
PO Box 5055, Hamilton, 3200
22 The Boulevard, Te Rapa, Hamilton 3200
Phone: 07 849 0109, Fax: 07 849 0540
Website: www.greenstapware.com
Email: nzsales@greenstapware.com
Service Hotline: 0800 655 455

Distributed by: Greens Global AUS PTY LTD

36 Naxos Way, Keysborough VIC 3173
Phone: 1800 244 487 Fax: 1800 244 212
Email: aussales@greenstapware.com
Website: www.greenstapware.com
Service Hotline: 1800 244 992

Technical Data

- **Suitable for use with high pressure water supply only.**
Not suitable for gravity-fed water heaters, low and unequal pressure networks.
- Minimum Water pressure: 150kpa.
- Maximum water pressure: 500kpa.
- Pressure over 500kpa will require a limiting valve.
- Installation shall be in accordance with the AS/NZS3500 series of standards.
- Flow rate of 3 star 9 l/m has been rated under the Australian Water Efficiency Labeling Scheme (WELS).



- **Top Inlet at the diverter.**
- **Diverter trim ring is 60mm dia.**
- **Bottom bracket mount is adjustable with max 560mm Centres.**

Install The 15mm Female Inlet Adaptor:

1. At pipe-out stage install a **brass 15mm male wingback elbow** (not supplied).
 - a. Remove the adaptor from the diverter.
 - i. **NOTE:** Loosen off the 2 grub screws to ensure the O-rings are not cut on the adaptor.
 - b. Note: The female inlet adaptor requires **minimum of 10mm thread** protruding from the **finished wall**.
 - c. **Inlet is at the top.**
 - d. **Check the height** required with customer as there is no height adjustment.
2. Cut the inlet thread, to a **MIN of 10mm thread** from finished wall.
3. Install adaptor using a spanner or a 10mm Allen key.
 - a. **Back edge of the adaptor to be level with the finished wall as shown.**

Install Mounting Block For Bottom Bracket:

1. Mark out and install mounting block as shown in drawing and inline with the inlet to ensure rail will be straight.
 - a. Must screw into a wooden stud or nog.
 - b. Wall anchor provided for masonry walls.

Installing Rail:

1. Install diverter with rail to inlet adaptor.
 - a. Lightly grease the O-rings on the inlet adaptor.
 - b. **CHECK:** The **grub screws** top and bottom are **not projecting into the bore.**
 - c. **Sealant is required behind the diverter and trim to wall for water seal.**
 - d. **Remove the protective tape** from seal on the trim ring.
 - e. **Carefully position trim ring** against finished wall.
 - i. **Check** the grub screw is below the surface to ensure seal inside trim ring is not cut.
2. Install bottom bracket.
 - a. Back off grub screw enough for attaching to mount.
 - b. **Remove the protective tape** from seal on the trim ring.
 - c. **Sealant is required behind bracket and trim to wall for water seal.**
 - d. Install rail to the mounting block and tighten the grub screw.
 - i. **To adjust bottom rail bracket height**, back off the locking screw inside the bracket, adjust to height required and retighten screw.
 - e. **Carefully position trim ring** against finished wall.
 - i. **Check** the grub screw is below the surface to ensure seal inside trim ring is not cut.
3. Install overhead arm to top of diverter, position and tighten the nut.
 - a. Lightly grease O-rings on the arm.