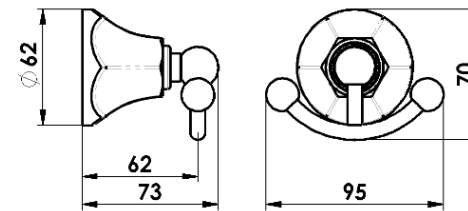


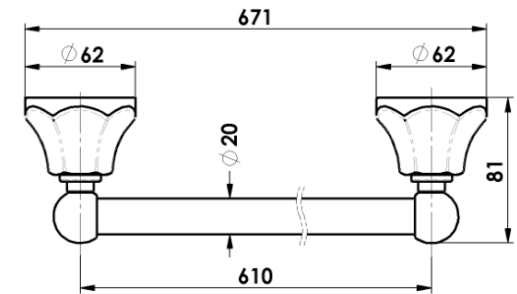


POLARO ACCESSORIES INSTALLATION INSTRUCTIONS

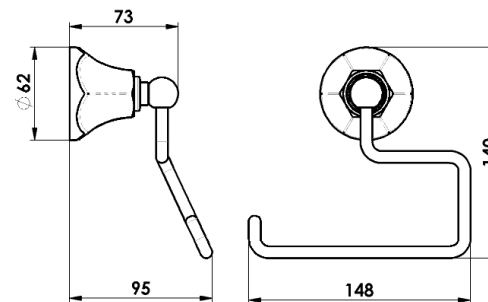
DOUBLE ROBE HOOK



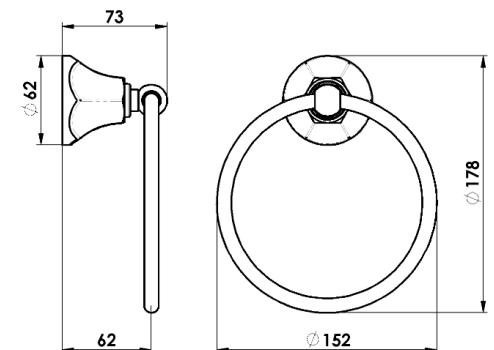
610MM TOWEL RAIL



TOILET ROLL HOLDER



HAND TOWEL RING



Please contact country of purchase .

NZ:

Distributed by: Greens Global Limited

PO Box 5055, Hamilton, 3200

22 The Boulevard, Te Rapa, Hamilton 3200

Phone: 07 849 0109, Fax: 07 849 0540

Website: www.greenstapware.com

Email: nzsales@greenstapware.com

Service Hotline: 0800 655 455

Australia:

Distributed by: Greens Global (Australia) Ltd

10/101 Wedgewood Rd, Hallam, Victoria 3803

Phone: 1800 244 487 Fax: 1800 244 212

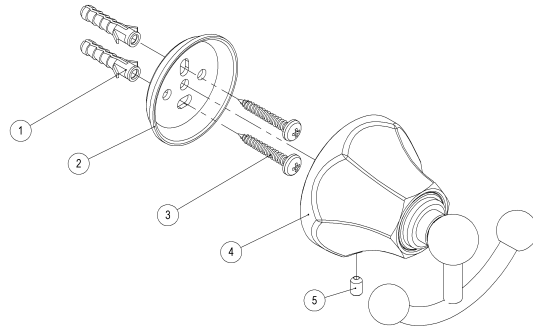
Email: aussales@greenstapware.com

Website: www.greenstapware.com

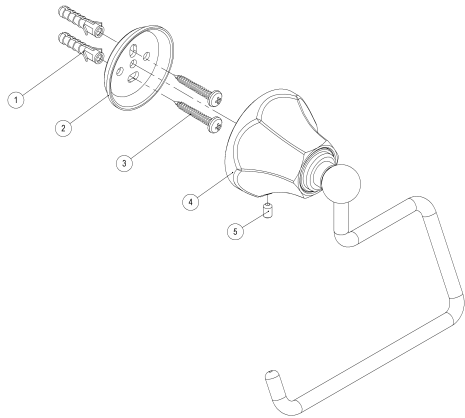
Service Hotline: 1800 244 992

DOUBLE ROBE HOOK

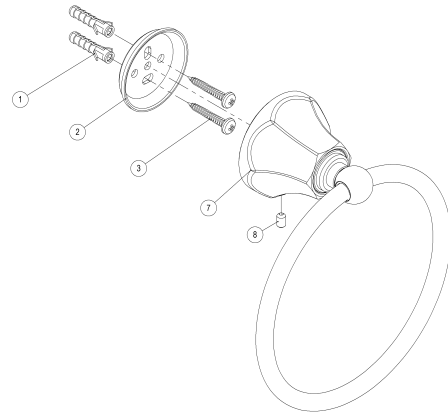
1	ANCHORS SLEEVE
2	STEEL MOUNTING PLATE
3	SELF-TAPPING SCREW
4	ACCESSORY
5	GRUB SCREW - M5



TOILET PAPER HOLDER



HAND TOWEL RING



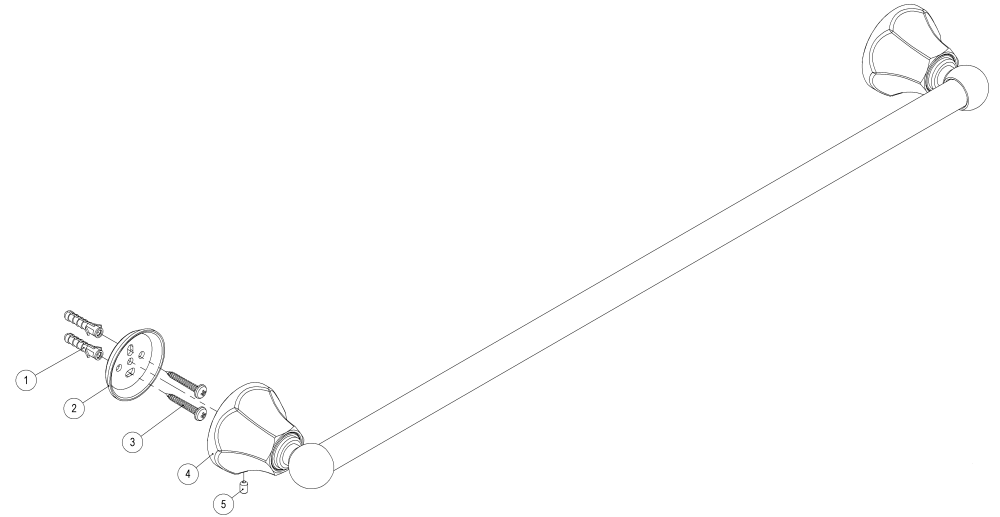
Robe Hook, Toilet Roll Holder and Hand Towel Installation Instructions

Anchors, pillars and screws are loose in the box.
#4 to #11 are assembled out of the box.

Place the steel mounting plate #2 in the required position and mark out for fixings using the mounting plate as a template.

2. Install the steel mounting plate #2 to wall using the self tapping screws #3.
 - a. Anchor sleeves #1 are provided for masonry walls.
 - b. Drill pilot holes, if required.
3. Install the accessory, position and tighten the grub screws #8, as shown.

TOWEL RAIL



610mm Towel Bar Installation Instructions

Anchors, pillars and screws are loose in the box.
#4 to #11 are assembled out of the box.

1. Place the steel mounting plates #2 in the required position and mark out for fixings using the mounting plates as a template at **610mm centers**.
 - a. Note: **The mounting plates must be level.**
2. Install the 2 steel mounting plates #2 to wall using the self tapping screws #3.
 - a. Anchor sleeves #1 are provided for masonry walls.
 - b. Drill pilot holes, if required.
3. Install the towel bar and tighten the grub screws #8, as shown.