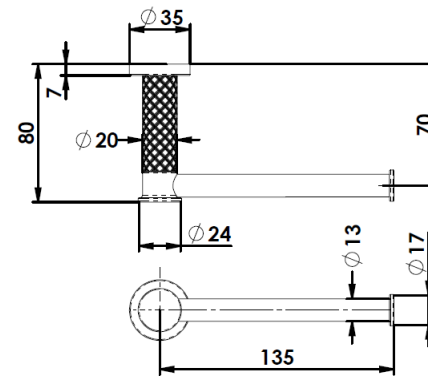


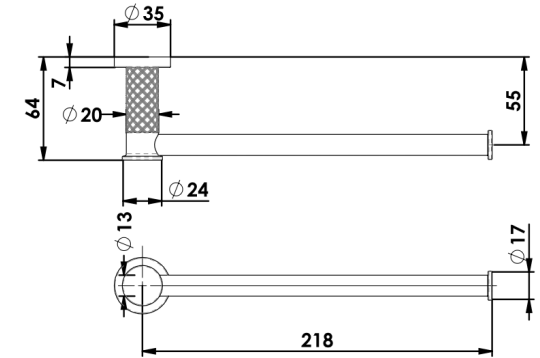


# TEXTURA TESORA GISELE ACCESSORIES INSTALLATION INSTRUCTIONS

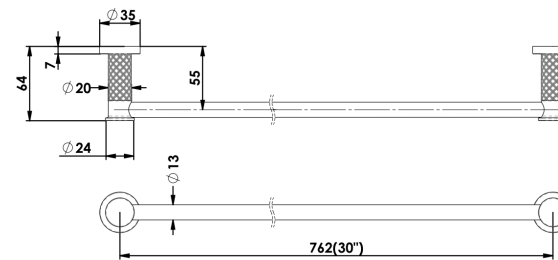
## TOILET ROLL HOLDER



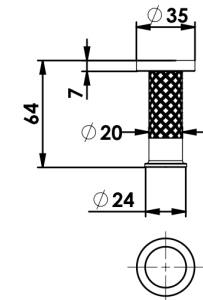
## HAND TOWEL HOLDER



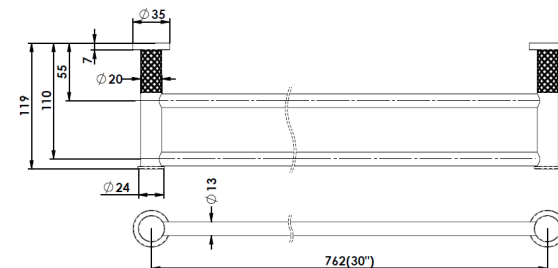
## 762mm SINGLE TOWEL RAIL



## DOUBLE ROBE HOOK



## 762mm DOUBLE TOWEL RAIL



Please contact country of purchase .

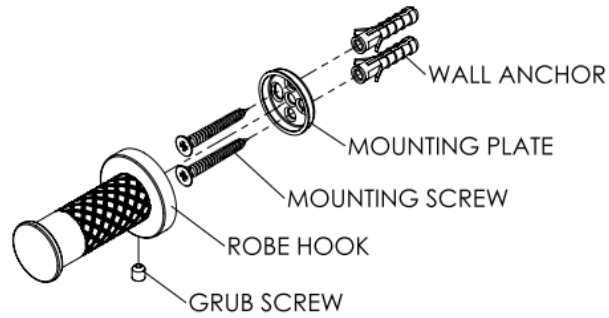
### NZ:

**Distributed by: Greens Global Limited**  
PO Box 5055, Hamilton, 3200  
22 The Boulevard, Te Rapa, Hamilton 3200  
Phone: 07 849 0109, Fax: 07 849 0540  
Website: [www.greenstapware.com](http://www.greenstapware.com)  
Email: [nzsales@greenstapware.com](mailto:nzsales@greenstapware.com)  
**Service Hotline: 0800 655 455**

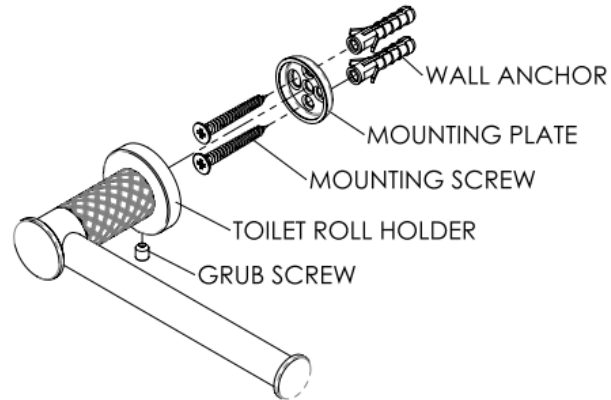
### AUSTRALIA:

**Distributed by: Greens Global AUS PTY LTD**  
36 Naxos Way, Keysborough VIC 3173  
Phone: 1800 244 487 Fax: 1800 244 212  
Email: [aussales@greenstapware.com](mailto:aussales@greenstapware.com)  
Website: [www.greenstapware.com](http://www.greenstapware.com)  
**Service Hotline: 1800 244 992**

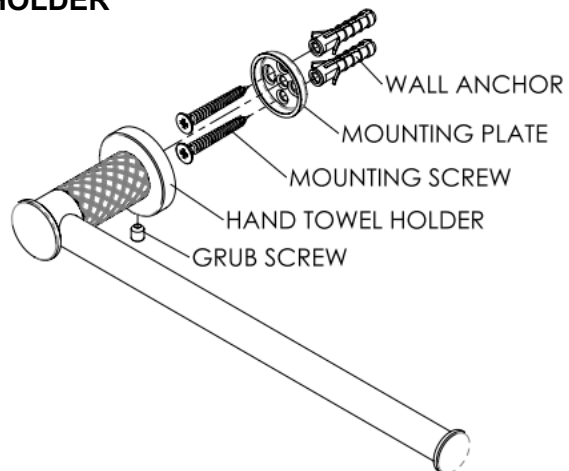
## ROBE HOOK



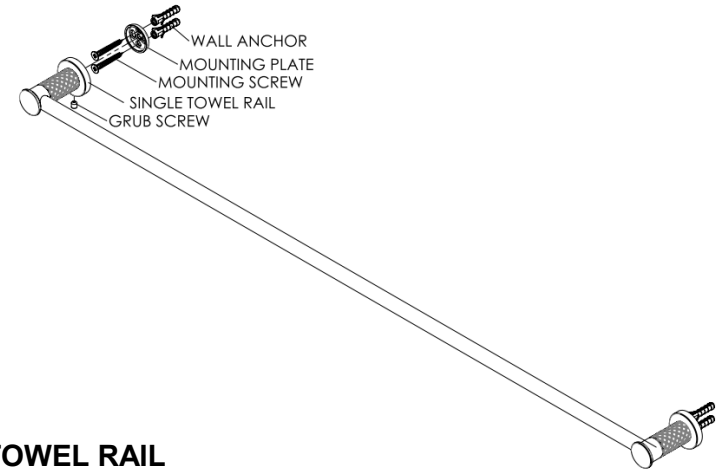
## TOILET PAPER HOLDER



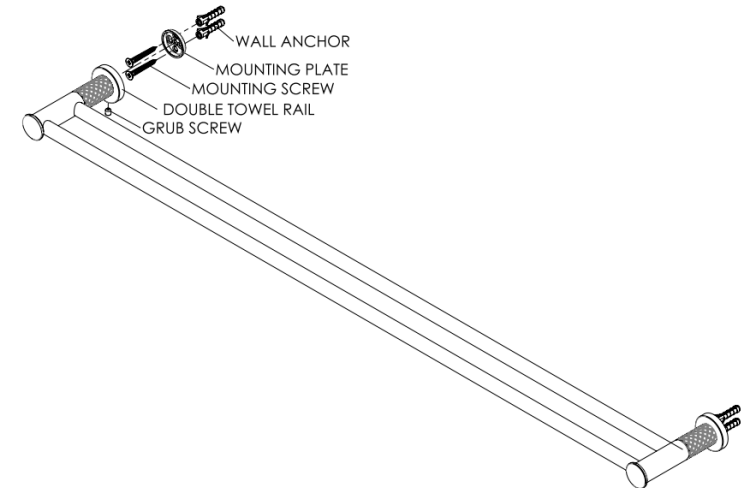
## HAND TOWEL HOLDER



## SINGLE TOWEL RAIL



## DOUBLE TOWEL RAIL



## INSTALLATION INSTRUCTIONS

1. Remove the mounting plate by backing of the grub screw.
2. Place the mounting plate in the required position and screw to finished wall.
  - a. Towel Rails: Mark out first and check as **must be level**.
  - b. Drill pilot holes, if required.
  - c. Anchor sleeves are provided for masonry walls.
3. Install accessory to mounting plate and tighten the grub screw.

**Note:** All accessories must be **attached to a wooden stud or nog**, this will support the product over time. New builds or renovations it is best to pre plan for support locations.