



## TEXTURA/TESORA SHOWER MIXER (For Mains Pressure Installations Only) INSTALLATION INSTRUCTIONS

<b>PRODUCT #</b>
------------------

<b>BATCH #</b>
----------------

### ATTENTION PLUMBER

To ensure the optimum performance and customer satisfaction please adhere to the following:

- Flush out all pipe work prior to installation
- Installation shall be in accordance with the AS/NZS3500 series of standards.  
**The maximum operating pressure within any building should not exceed 500kpa.**  
Pressure above 500kpa can cause damage from water hammer, reducing life of appliances, taps and fittings and cause excessive noise in the plumbing system.
- Pressure over 500kPa will require a limiting valve.
- Inline filters must be installed on both hot and cold supplies.

### TECHNICAL DATA

- Minimum Water pressure for satisfactory operation: 150kPa
- Maximum Water pressure: 500kPa
- Maximum hot water temperature: 70°C  
If the Water temperature exceeds 70°C an approved Tempering Valve must be fitted.
- Flow rate: 150kpa = 7 l/m, 250kpa = 9 l/m , 350kpa = 11 l/m (Flow pressure).

Please leave this form with the product once installed.

For full warranty terms and conditions, please see the warranty card enclosed with this product or visit [www.greenstapware.com/warranty-and-care/](http://www.greenstapware.com/warranty-and-care/)

### NZ

**Distributed by: Greens Global Limited**

PO Box 5055, Hamilton, 3200

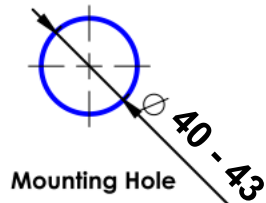
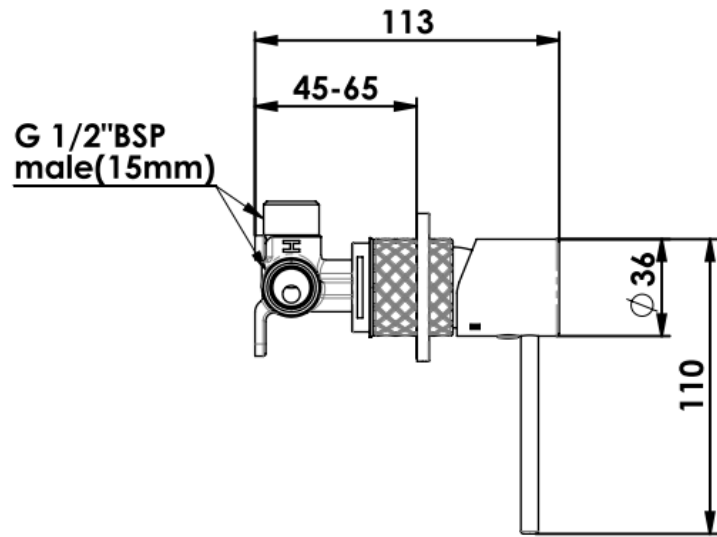
22 The Boulevard, Te Rapa, Hamilton 3200

Phone: 07 849 0109, Fax: 07 849 0540

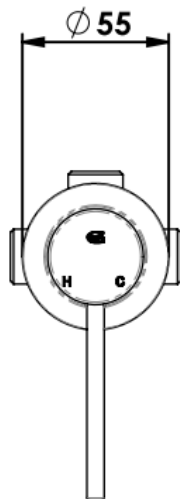
Website: [www.greenstapware.com](http://www.greenstapware.com)

Email: [nzsales@greenstapware.com](mailto:nzsales@greenstapware.com)

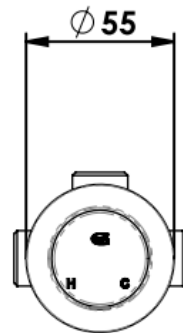
**Service Hotline: 0800 655 455**



With Handle bar



Without Handle Bar



## INSTALLATION INSTRUCTIONS SHOWER MIXERS

**NOTE:** Cut hole for mixer in the finished wall 40-43mm  
 Vale mounting 45-65mm behind finished wall.  
 Multi function hand set or duets, min operating pressure 250kPa.

1. Position the mixer against a mounting board within the **maximum and minimum depth of 45-65mm** and fix.
  - a. Ensure the "Hot" (H) inlet, enters from the left, when the outlet to the shower is at the top.
  - b. Mug guard has minimum and maximum for finished wall.
    - i. Leave mud guard on valve body until final fit out.
  - c. **Note: Finished wall cut out must be up to the mud guard.**
    - i. Maximum cut out of 43mm
2. Connect water supply to the mixer and from the mixer to the shower outlet.
  - a. **Do not pressure test with valve in the open position when the outlet is closed .**
  - b. Turn on water supply to the mixer and **check for leaks.**
3. Cut out an **access hole in the wall lining for the mixer of 40-43mm** as per drawing, and fix lining in place.
4. Install face plate and handle.
  - a. Remove the mud guard.
  - b. Remove the protective tape from the seal and slide the faceplate over the mixer body and position against the wall lining.
    - i. Ensure the drain hole in plate at the bottom
  - c. Sealant will be required behind faceplate on uneven surfaces for water seal.
  - d. Install the handle onto the cartridge lever and tighten the screw under the handle with the 2.5mm Allen key supplied and fit button.

