

Installing Spout & Female Boss Mount:

Note: Boss mount fitted after cover plate.

1. Cut out mounting hole in finished wall for spout 25-35mm as per drawing.
2. Remove the DN15mm female boss mount by unscrewing the grub screws under the spout until nearly out.
3. Install the female boss mount with 15mm parallel thread (not supplied) using an 8mm Allen key.
 - a. The boss mount helps hold the cover plate to the wall.
Do not overtighten as only light tension against plate is required.
3. Grease O-rings, install spout ensuring seal is in place and tighten grub screws.

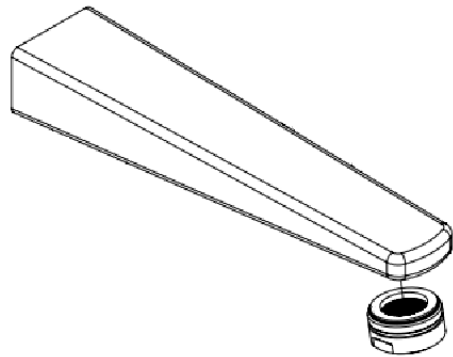


VANTAGE WALL BASIN / BATH MIXER WITH FACEPLATE (For All Pressure Installations) INSTALLATION INSTRUCTIONS

PRODUCT #

BATCH #

Bath Installations



Unscrew the aerator cone and replace aerator insert with non restricted aerator

Washer

Aerator insert

Aerator cone

ATTENTION PLUMBER

To ensure the optimum performance and customer satisfaction please adhere to the following:

- **Flush out all pipe work prior to installation.**
- Installation shall be in accordance with the AS/NZS3500 series of standards.
The maximum operating pressure within any building should not exceed 500kpa.
Pressure above 500kpa can cause damage from water hammer, reducing life of appliances, taps and fittings and cause excessive noise in the plumbing system.
- Pressure over 500kPa will require a limiting valve.
- Inline strainer / filter must be installed in the line before the mixer to cover both hot and cold supplies (not supplied). Must be accessible.

TECHNICAL DATA

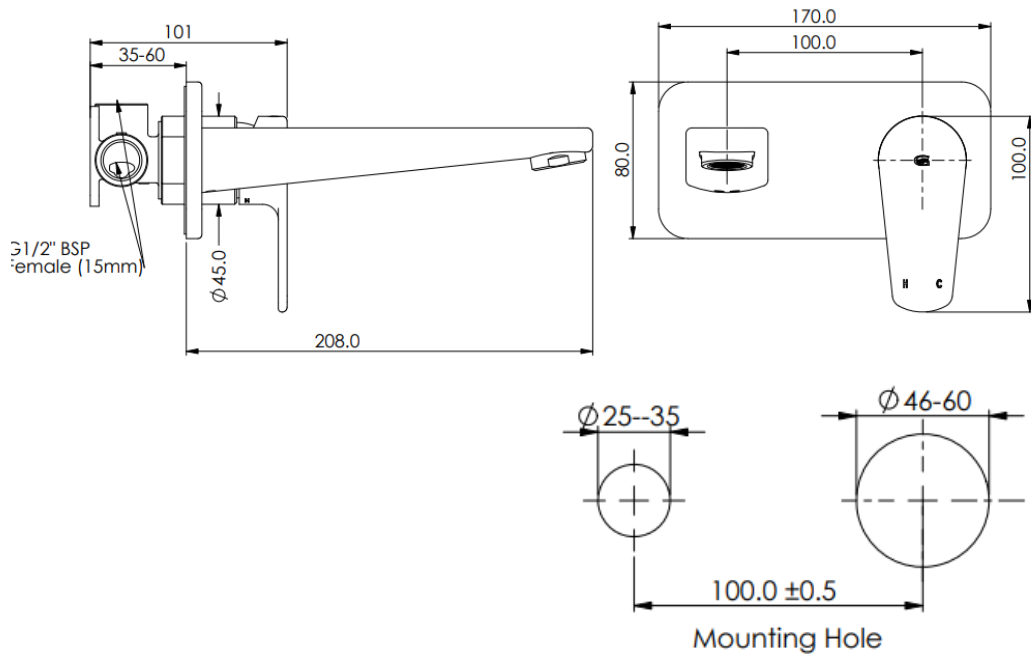
- Minimum Water pressure for satisfactory operation: 35KPa
- Maximum Water pressure: 500kPa
- Maximum hot water temperature: 70°C
If the Water temperature exceeds 70°C an approved Tempering Valve must be fitted.
- The flow rate of the sink and basin mixers has been rated under the NZ Water Efficiency Labeling Scheme (WELS).

Please leave this form with the product once installed.

For full warranty terms and conditions, please see the warranty card enclosed with this product or visit www.greenstapware.com/warranty-and-care/

Distributed by: Greens Global Limited

PO Box 5055, Hamilton, 3200
22 The Boulevard, Te Rapa, Hamilton 3200
Phone: 07 849 0109, Fax: 07 849 0540
Website: www.greenstapware.com
Email: nzsales@greenstapware.com
Service Hotline: 0800 655 455



INSTALLATION INSTRUCTIONS

NOTE:

- Spout can be installed on the left or right side of the mixer valve.
- Valve body mounting 35-60mm behind finished wall
- Finished wall cut-out: Mixer 46-60mm dia round.
Spout 22-35mm dia.
- **UNEQUAL PRESSURE: NON-RETURN MUST BE INSTALLED TO THE LOW PRESSURE HOT INLET OF VALVE.**

Installing Mixer Valve Body:

1. **Unequal Pressure:** Install non-return to hot inlet of mixer valve (arrow for flow).
2. **15mm female** inlets & outlet.
 - a. Hot inlet (left), Cold inlet (Right)
 - b. Outlet (Top).
3. **35mm - 60mm back of valve body to the finished wall.**
4. Finished wall cut-out : **Mixer 46-60mm dia round, Spout 25-35mm dia.**
5. Do not pressure test with valve in the open position when the outlet is closed.

Installing Bracket Elbow For Spout (not supplied):

1. Install a brass 15mm female wingback elbow for spout position as per drawing and connect water supply from mixer outlet to elbow.
 - a. **Check alignment of body and wall elbow.**
 - b. Temporary fit cover plate over valve body then the spout using 15mm thread (not supplied).
 - c. Use a level to check plate.
 - d. **Spout boss mount is fitted after the cover plate.**
2. **Remove temporary fitted spout and cover plate.**
3. Plug off elbow for water test.
4. Turn on water supply on and check for leaks.
Do not pressure test with valve in the open position when outlet is closed.

Installing Cover Plate & Handle:

1. Cut out mounting hole in finished wall for body 46-60mm as per drawing.
2. To secure the faceplate to the wall, remove the protective tape from the seal and slide the faceplate over mixer body and position against the finished wall.
 - a. Drain hole / gap in seal is at the bottom.
3. Fit the handle onto the cartridge lever and tighten the screw under the handle and fit button.

