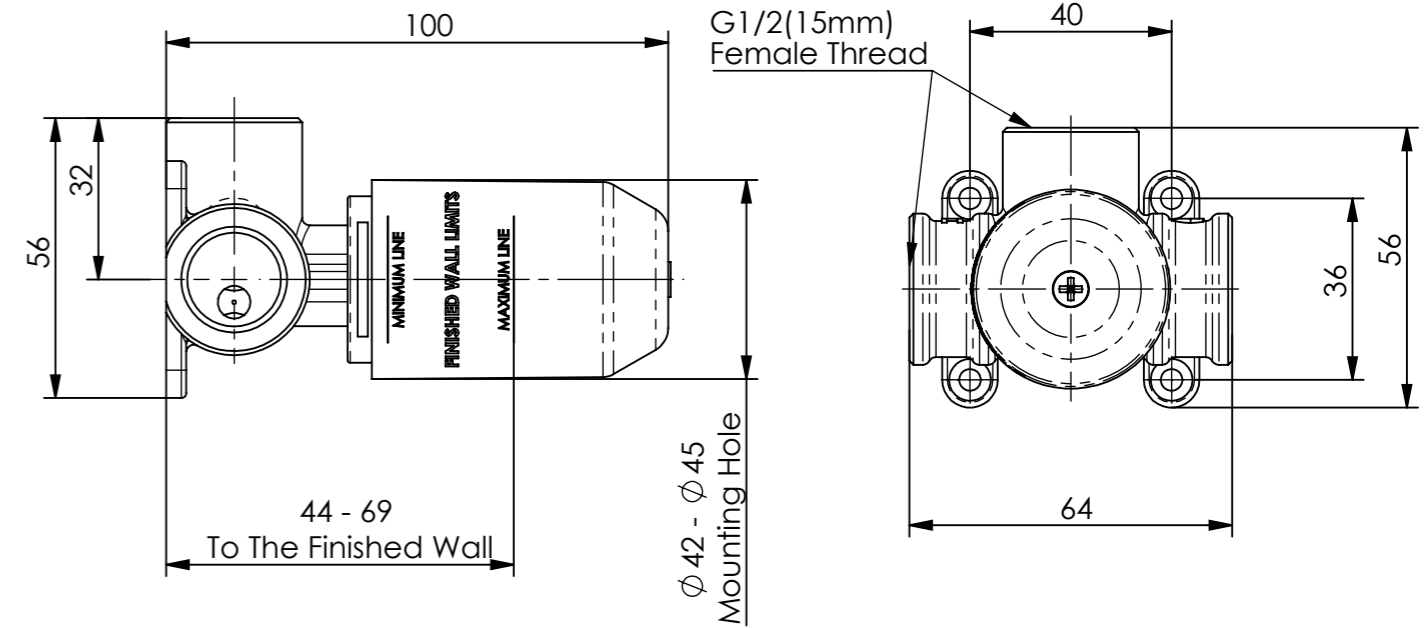
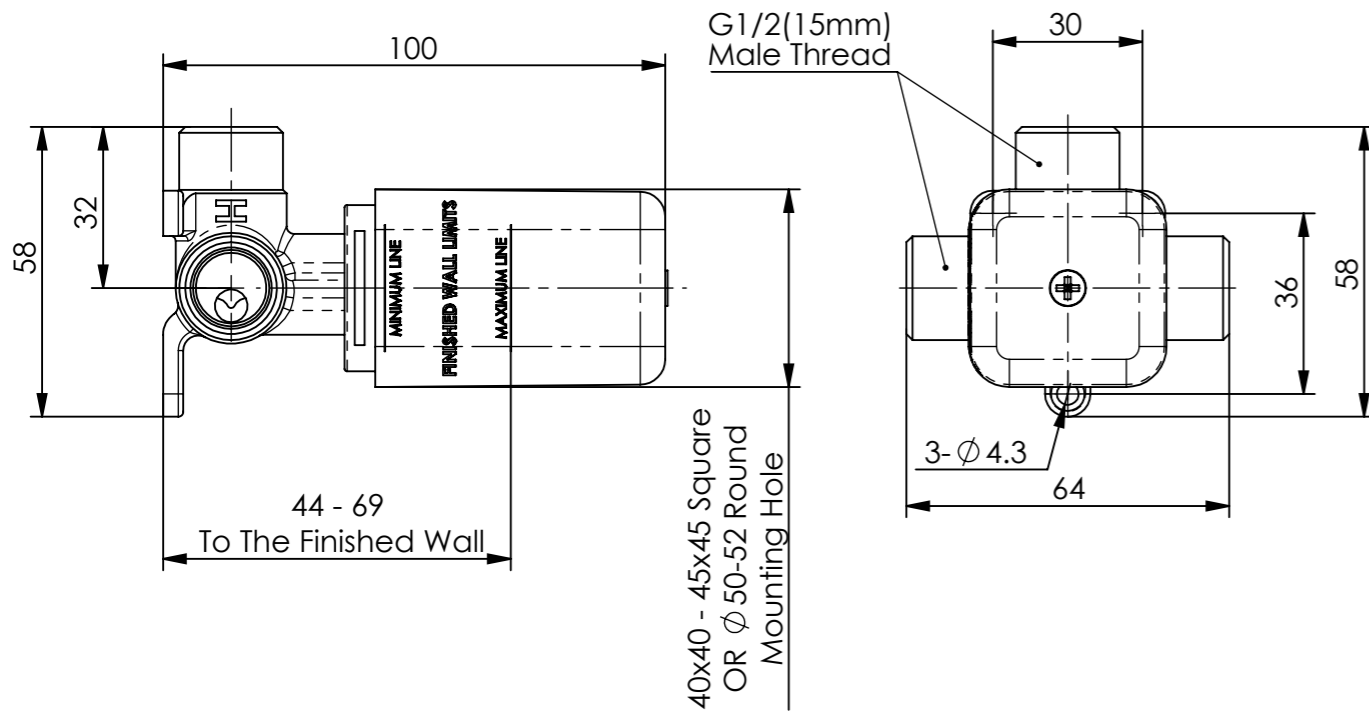


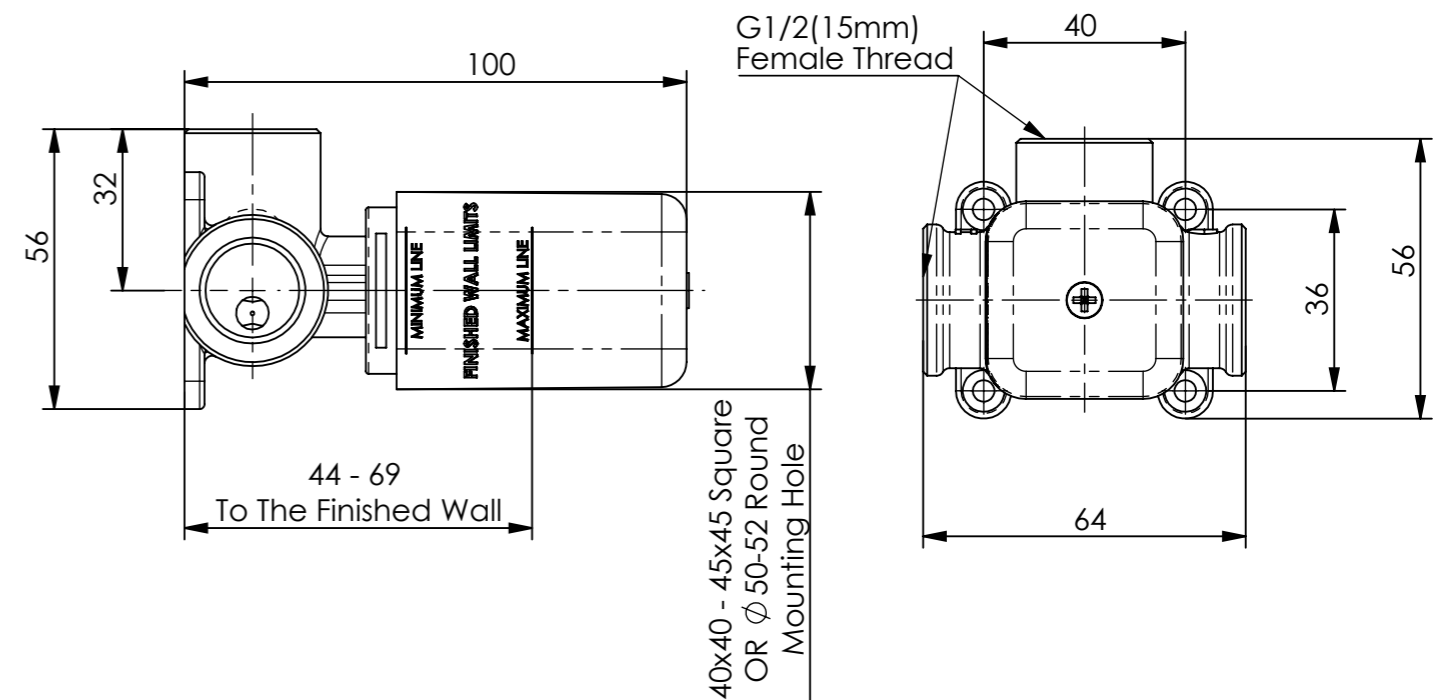
404860 (NZ ROUND / MALE THREAD)



414860 (AUS ROUND / FEMALE THREAD)



504860(NZ SQUARE / MALE THREAD)



514860(AUS SQUARE / FEMALE THREAD)

**REMOVE SHARP EDGES
DO NOT SCALE**

*This drawing is protected by
COPYRIGHT ©. All information
remains the exclusive property of
GREENS GLOBAL LTD.*

REV	CN	DATE	AMENDMENT

**MATERIAL
SPECIFICATION**

SURFACE FINISH
1.6/ ALL OVER
UNLESS NOTED OTHERWISE
TOLERANCES
0 ± 2.0mm
0.0 ± 0.2mm
0.00 ± 0.05mm
UNLESS NOTED OTHERWISE

GREENS GLOBAL LTD
Title:
**LINE DRAWING
- MP25 SHOWER VALVE
WITH MUD GUARD**

DATE: 01-09-2021	ITEM No	
DRAWN:	REV A	DRG No. 4860-L
VERIFIED:	SCALE: 1:1.5	Sheet 1 of 1 A3
VALIDD:		