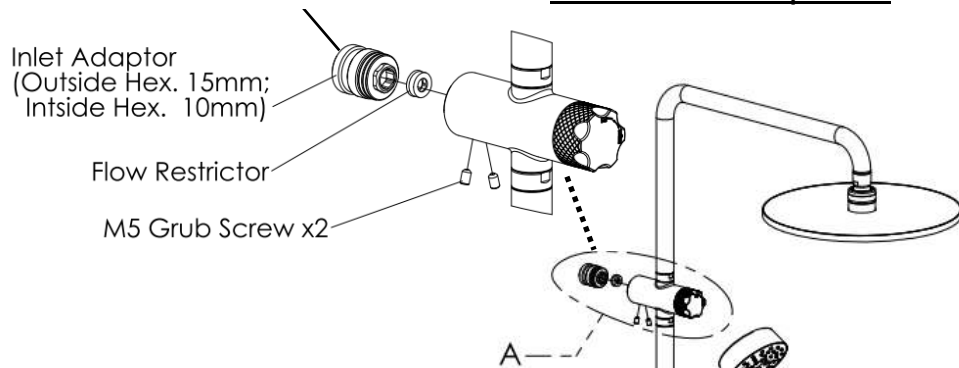


Edge level with finish wall

A: Diverter -Top Inlet



- **Top Inlet at the diverter.**
- **Diverter inlet MAX 25mm mounting hole.**
- **Bottom bracket mount is adjustable with max 800mm Centres.**

Install The 15mm Female Inlet Adaptor:

1. At pipe-out stage install a **brass 15mm male wingback elbow** (not supplied).
 - a. Remove the adaptor from the diverter.
 - i. **NOTE:** Loosen off the grub screw to ensure the O-rings are not cut on the adaptor.
 - b. Note: The female inlet adaptor requires MAX 20mm thread from finished wall.
 - c. **Inlet is at the top.**
 - d. **CHECK:** The height required with customer as there is no height adjustment.
2. Cut the inlet thread to **MAX 20mm** from finished wall.
3. Install adaptor using a spanner or a 10mm Allen key.
 - a. **Back edge of the adaptor to be level with the finished wall as shown.**

Install Mounting Sleeve For Bottom Bracket:

1. Mark out and install mounting sleeve inline with the inlet to ensure rail will be straight.
 - a. **Note:** For adjusting the bracket height, a locking screw is inside bracket. To adjust use 5mm Allen key.
 - b. Must screw into a wooden stud or nog.
 - c. Wall anchor provided for masonry walls.

Installing Rail:

1. Install diverter with rail to inlet adaptor.
 - a. Lightly grease O-rings on the inlet adaptor.
 - b. **CHECK: Grub screws are not projecting into the bore.**
 - i. Loosen off to ensure they do not cut the O-rings on the adaptor.
 - c. **Sealant is required behind the diverter to wall for water seal.** (Not supplied.)
2. Install bottom bracket.
 - a. Back off grub screws enough for attaching to mount.
 - b. **Remove the protective tape** from seal on the trim ring.
 - c. **Additional sealant** is required behind bracket for water seal. (Not supplied.)
 - d. Install rail to the mounting sleeve and tighten the grub screws.
 - i. **To adjust bottom rail bracket height**, back off grub screw inside and tighten at height required using a 5mm Allen key.
 - e. **Carefully position trim ring** against finished wall
 - i. Note: The trim ring has an O-ring on the inside, when sliding trim over the grub screws ensure they are below the surface as not to cut the seal.
3. Install overhead arm to top of diverter, position and tighten the nut.
 - a. Lightly grease O-rings on the arm.

B: Bottom bracket

