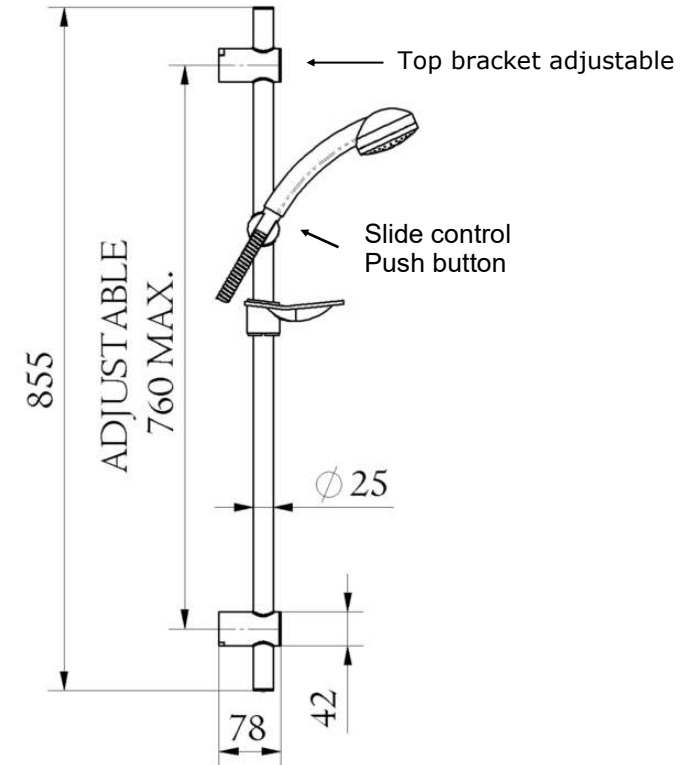




VANTAGE RainBoost®
ADJUSTABLE RAIL SHOWER
(All Pressure Installations)
INSTALLATION INSTRUCTIONS

PRODUCT #
1970000

BATCH #
300920



Technical Data:

Low Pressure: Recommend to be installed with a FloBOOST shower mixer.

Unequal Low Pressure:

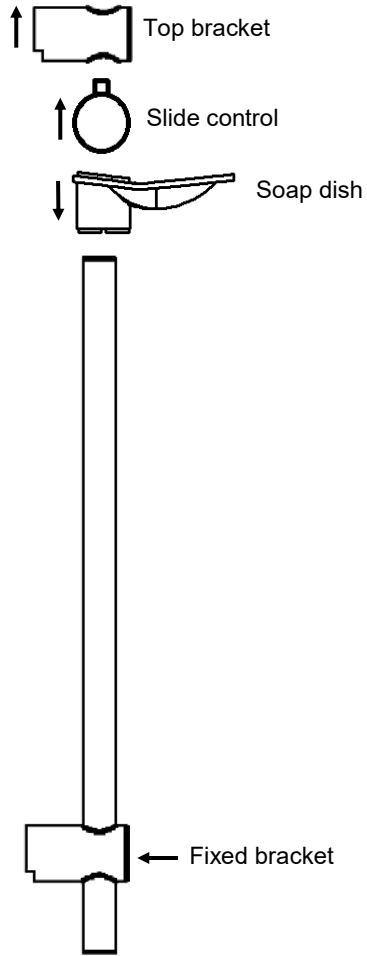
- Minimum **hot** water pressure (Only with a FloBOOST). 10kpa (flow pressure)
- Minimum **cold** water pressure (Only with a FloBOOST). 200kpa (flow pressure)
- Maximum cold water pressure. 500kpa

Equal Pressure - Low & Mains:

- Minimum water pressure. 20kpa (flow Pressure)
- Maximum Water pressure. 500kpa
- Pressure over 500kpa will require a limiting valve.
- Installation shall be in accordance with the AS/NZS3500 series of standards.

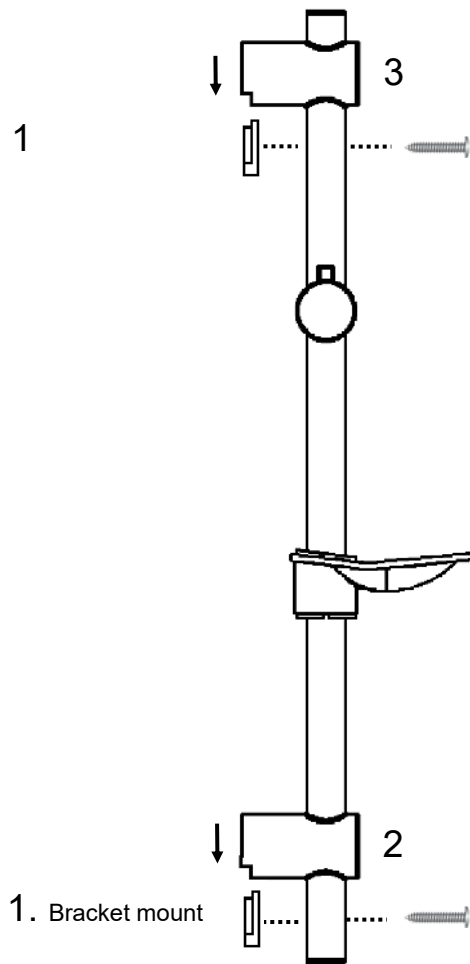
Distributed by: Greens Global Limited
PO Box 5055, Hamilton, 3200
22 The Boulevard, Te Rapa, Hamilton 3200
Phone: 07 849 0109, Fax: 07 849 0540
Website: www.greenstapware.com
Email: nzsales@greenstapware.com
Service Hotline: 0800 655 455

INSTALLATION INSTRUCTIONS



Install Soap Dish:

1. Remove top bracket and slide control.
 - a. **Push in button** on slide control.
2. Install soap dish, slide control and bracket.
 - a. Slide control **button at top**.

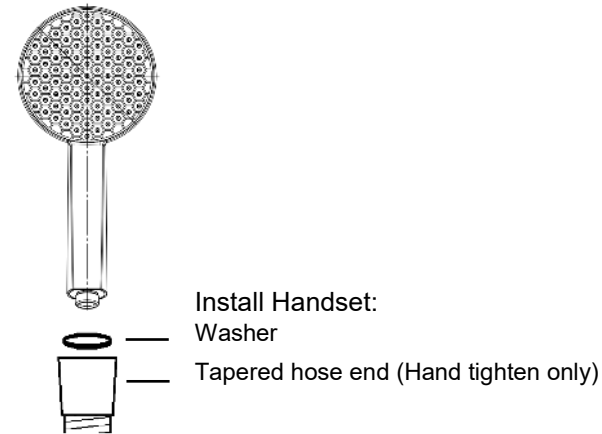
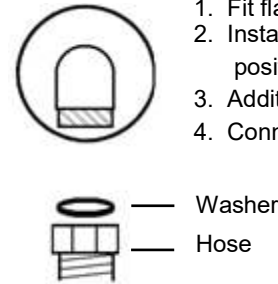


Install Rail:

1. Install the bracket Mounts.
 - a. Mark out positions as shown.
 - b. Position at centres max 760mm and screw straight on wall.
 - c. Silicone sealant is recommended to seal the bracket mounts.
2. **Install bottom bracket with rail DOWN** onto the bracket mount.
3. **Slide top bracket DOWN** rail over mount.

Install Wall Elbow And Hose:

1. Fit flange over elbow and remove the protective tape from seal.
2. Install wall elbow with 15mm parallel thread (Not supplied) and position flange against wall lining.
3. Additional sealant maybe required for uneven surfaces.
4. Connect hose to wall elbow ensuring washer is in place



WELS – Mains pressure only

To achieve the 3 star 9.0 l/m rating remove washer and install the WELS restrictor washer between the **wall elbow outlet thread and hose**.

- a. Top side with O-ring facing upwards.

