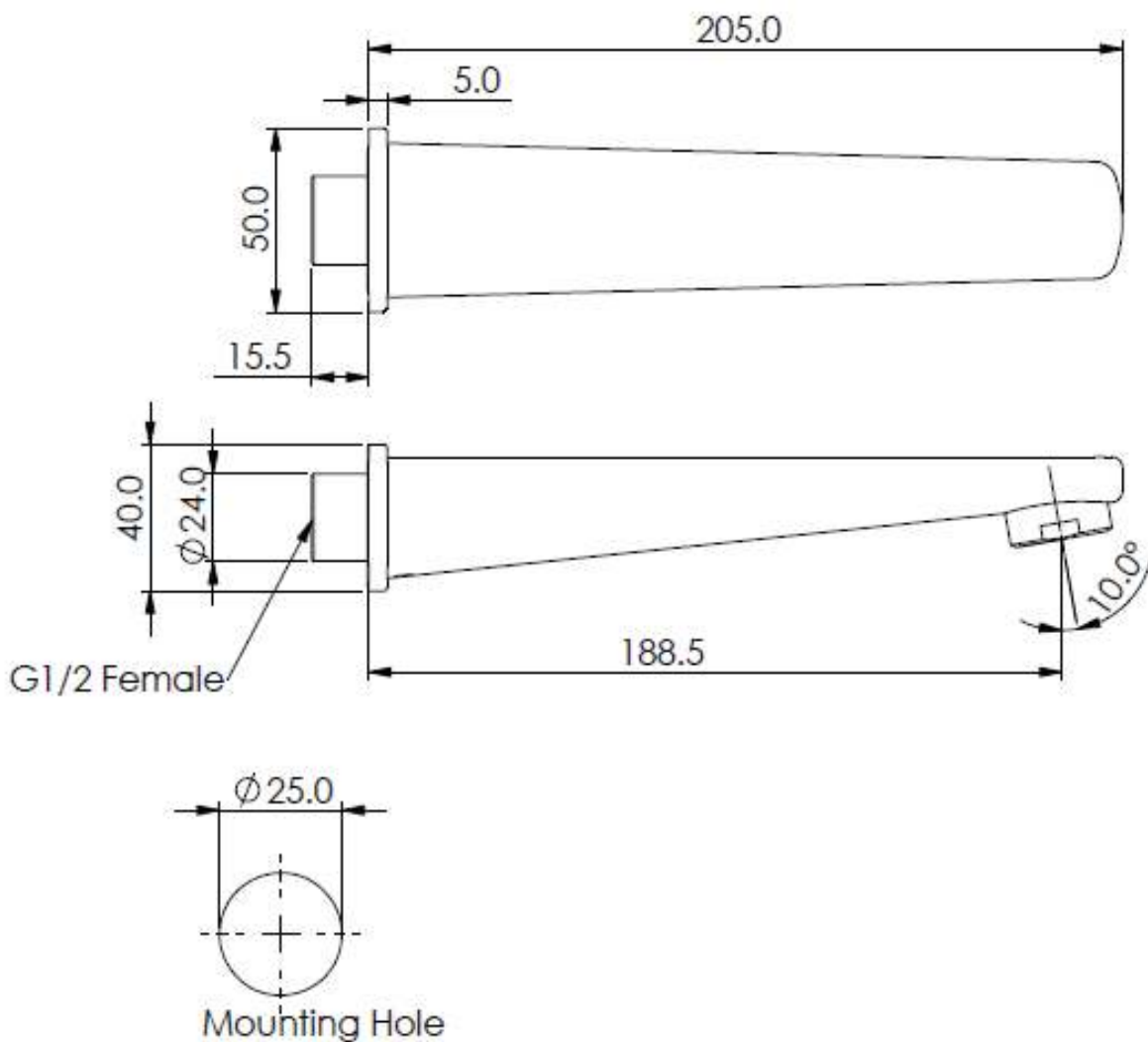


VANTAGE

Bath Spout

- 19702100 | Chrome
- 19702101 | Brushed Nickel
- 19702106 | Brushed Brass
- 19702107 | Matte Black
- 19702109 | Gun Metal

WELS N/A | AP | Fixed Spout | 190mm

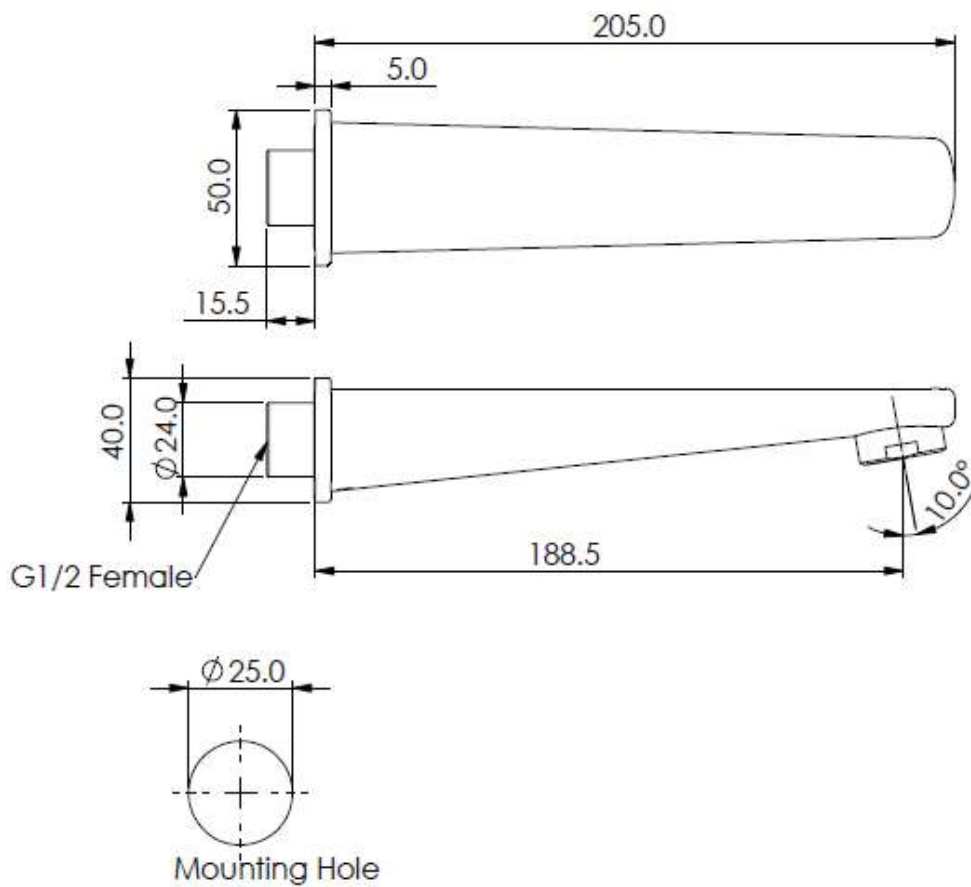




VANTAGE WALL MOUNTED BATH SPOUT INSTALLATION INSTRUCTIONS

PRODUCT #

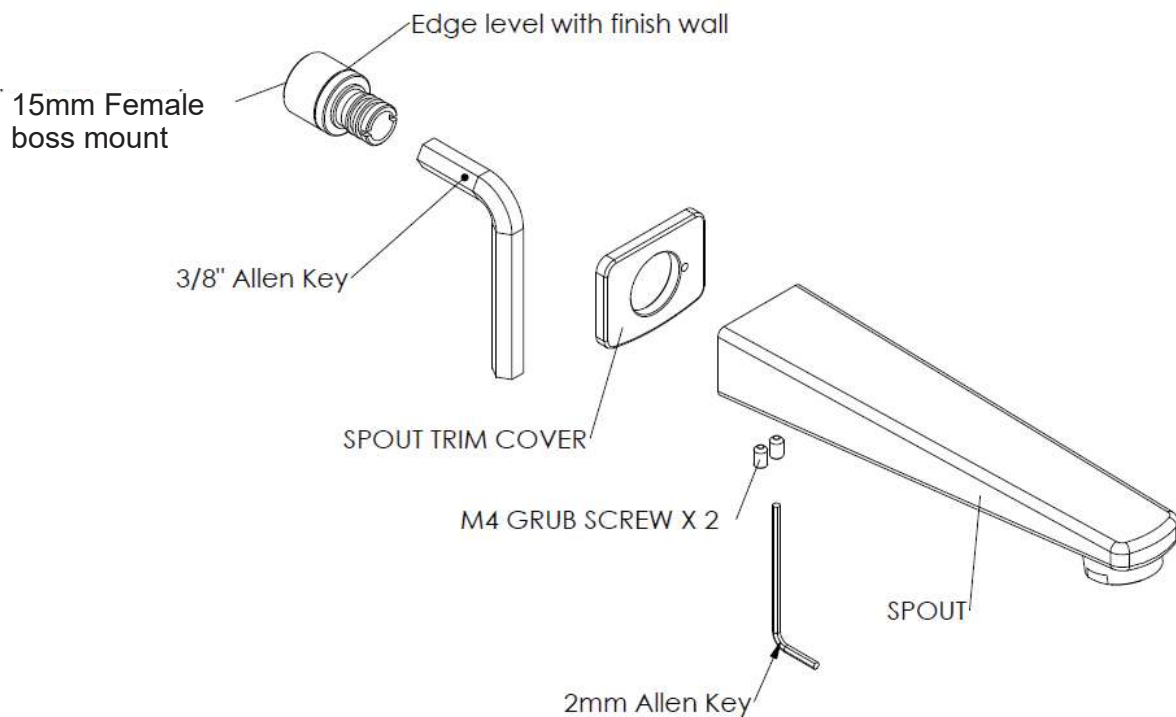
BATCH #



Installation shall be in accordance with the AS/NZS3500 series of standards.

Distributed by: Greens Global Limited
PO Box 5055, Hamilton, 3200
22 The Boulevard, Te Rapa, Hamilton 3200
Phone: 07 849 0109, Fax: 07 849 0540
Website: www.greenstapware.com
Email: nzsales@greenstapware.com
Service Hotline: 0800 655 455

#42143 01/22



Installing Female Boss Mount:

1. Cut out mounting hole in finished wall for **spout , 25mm** as per drawing.
2. Remove the 15mm female boss mount by unscrewing the **grub screws** under the spout until **nearly out.**
3. Install the female boss mount with 15mm parallel thread (not supplied) using an 3/8" Allen key.
 - a. Note: Edge of boss mount to be **level with finished wall.**

Install Spout:

1. Grease O-rings on the boss mount.
2. Install trim ring to spout and ensure O-ring seal is in place.
 - a. Location lug for trim on spout.
3. Install spout and tighten grub screws.