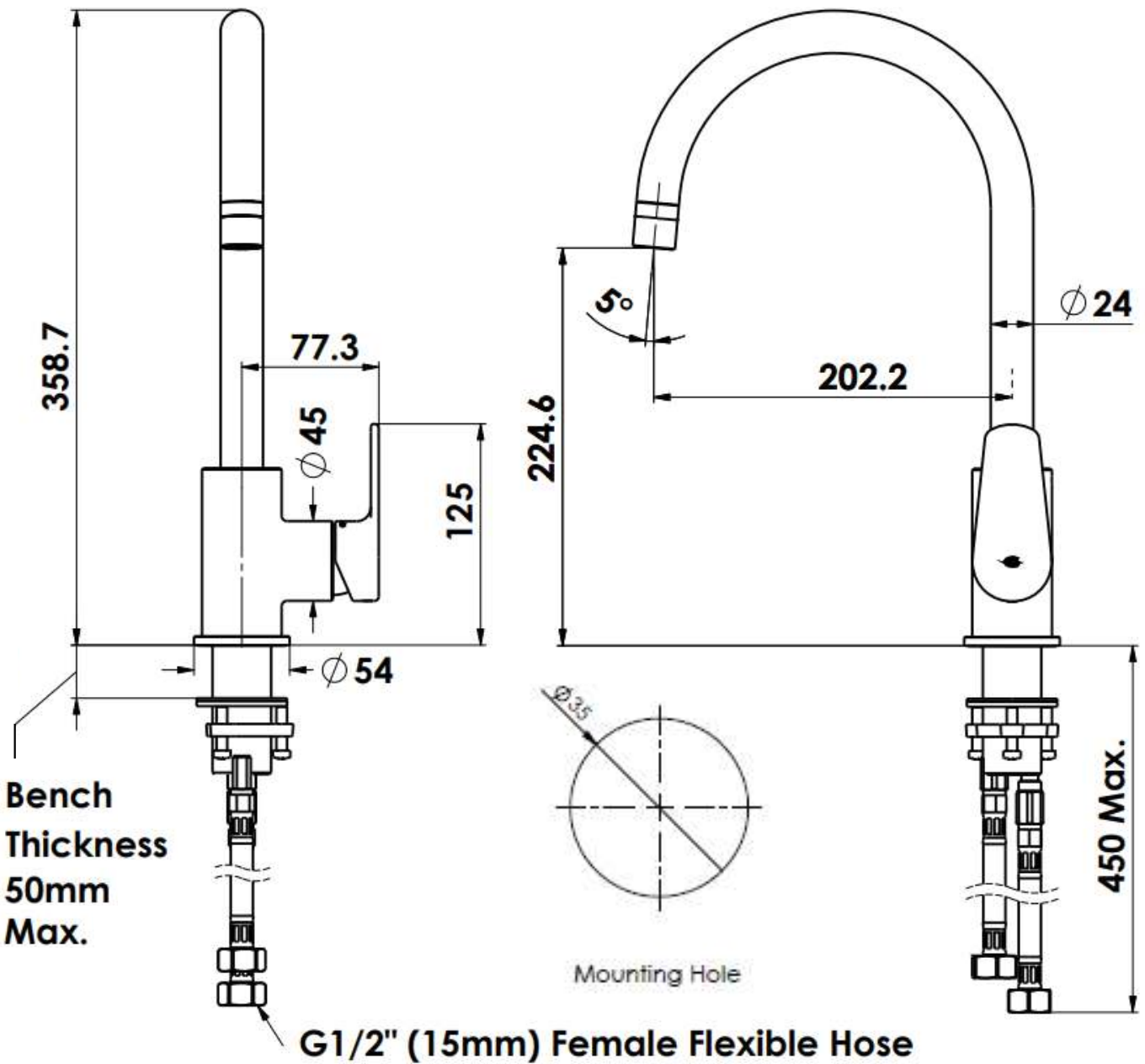


# VANTAGE

## Sink Mixer

- 21703540 | Chrome
- 21703541 | Brushed Nickel
- 21703546 | Brushed Brass
- 21703547 | Matte Black
- 21703549 | Gun Metal

4 STAR 7.5L/MIN  
All pressures | Swivel Spout



**NZ** PHONE - 0800 655 455  
EMAIL - [nzsales@greenstapware.com](mailto:nzsales@greenstapware.com)  
WEBSITE - [greenstapware.com](http://greenstapware.com)

 | **GREENS**  
where life meets water