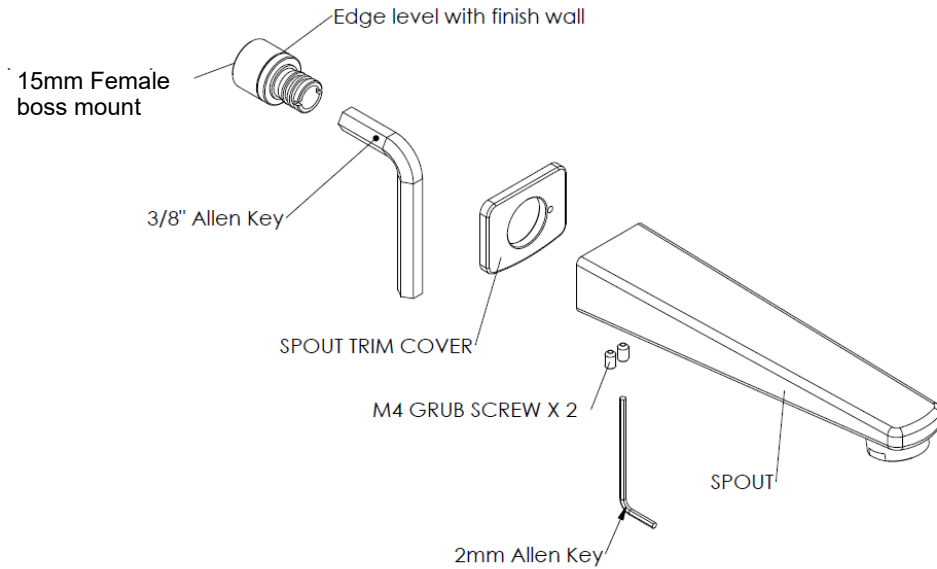


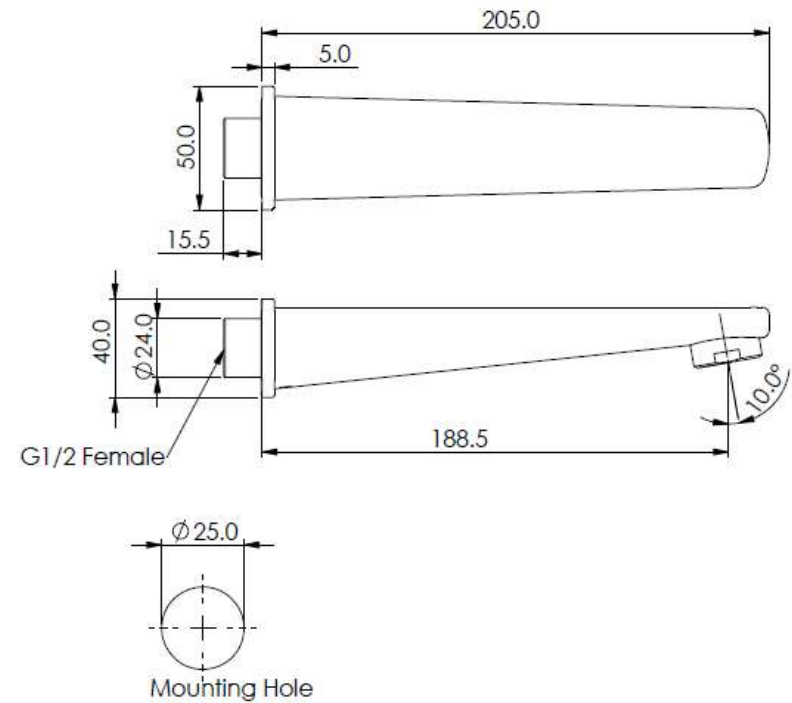


## VANTAGE WALL MOUNTED BATH SPOUT INSTALLATION INSTRUCTIONS



PRODUCT #

BATCH #



### Installing Female Boss Mount:

1. Cut out mounting hole in finished wall for **spout , 25mm** as per drawing.
2. Remove the 15mm female boss mount by unscrewing the **grub screws** under the spout until **nearly out.**
3. Install the female boss mount with 15mm parallel thread (not supplied) using an 3/8" Allen key.
  - a. Note: Edge of boss mount to be **level with finished wall.**

### Install Spout:

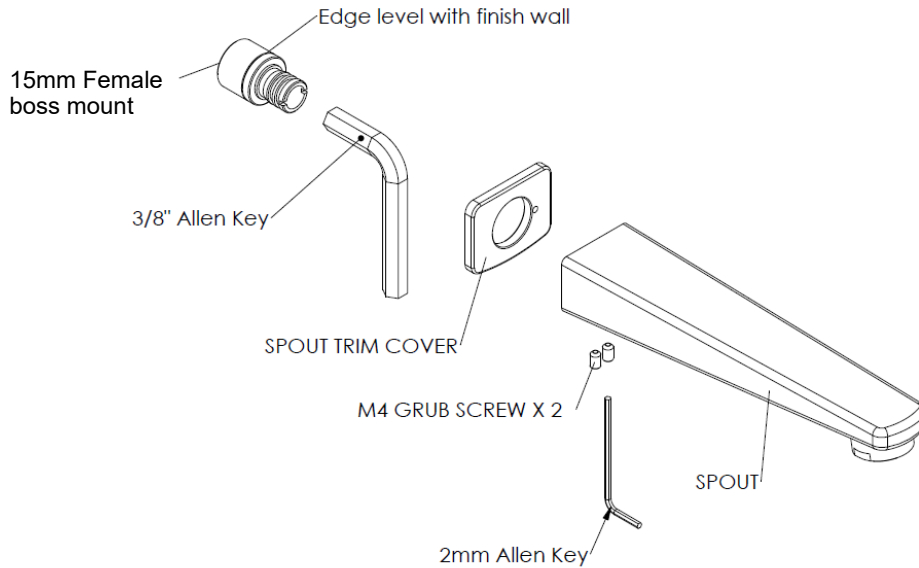
1. Grease O-rings on the boss mount.
2. Install trim ring to spout and ensure O-ring seal is in place.
  - a. Location lug for trim on spout.
3. Install spout and tighten grub screws.

Installation shall be in accordance with the AS/NZS3500 series of standards.

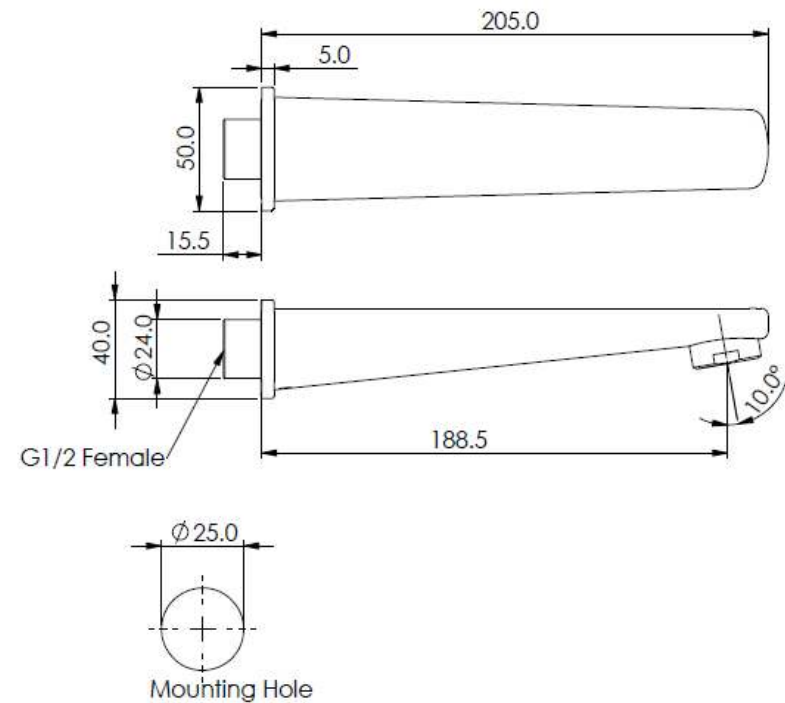
**Distributed by: Greens Global Limited**  
 PO Box 5055, Hamilton, 3200  
 22 The Boulevard, Te Rapa, Hamilton 3200  
 Phone: 07 849 0109, Fax: 07 849 0540  
 Website: [www.greenstapware.com](http://www.greenstapware.com)  
 Email: [nzsales@greenstapware.com](mailto:nzsales@greenstapware.com)  
**Service Hotline: 0800 655 455**



## VANTAGE WALL MOUNTED BATH SPOUT INSTALLATION INSTRUCTIONS



PRODUCT #	BATCH #
-----------	---------



### Installing Female Boss Mount:

1. Cut out mounting hole in finished wall for **spout** , **25mm** as per drawing.
2. Remove the 15mm female boss mount by unscrewing the **grub screws** under the spout until **nearly out**.
3. Install the female boss mount with 15mm parallel thread (not supplied) using an 3/8" Allen key.
  - a. Note: Edge of boss mount to be **level with finished wall**.

### Install Spout:

1. Grease O-rings on the boss mount.
2. Install trim ring to spout and ensure O-ring seal is in place.
  - a. Location lug for trim on spout.
3. Install spout and tighten grub screws.

Installation shall be in accordance with the AS/NZS3500 series of standards.

**Distributed by: Greens Global Limited**  
 PO Box 5055, Hamilton, 3200  
 22 The Boulevard, Te Rapa, Hamilton 3200  
 Phone: 07 849 0109, Fax: 07 849 0540  
 Website: [www.greenstapware.com](http://www.greenstapware.com)  
 Email: [nzsales@greenstapware.com](mailto:nzsales@greenstapware.com)  
**Service Hotline: 0800 655 455**