



ASTRO II
SHOWER DIVERTER MIXER
(For Mains Pressure Installations Only)
INSTALLATION INSTRUCTIONS

PRODUCT #

BATCH #

ATTENTION PLUMBER

To ensure the optimum performance and customer satisfaction please adhere to the following:

- **Flush out all pipe work prior to installation.**
- Installation shall be in accordance with the AS/NZS3500 series of standards.
The maximum operating pressure within any building should not exceed 500kpa.
Pressure above 500kpa can cause damage from water hammer, reducing life of appliances, taps and fittings and cause excessive noise in the plumbing system.
- Pressure over 500kPa will require a limiting valve.
- Inline filters must be installed on both hot and cold supplies (not supplied).

TECHNICAL DATA

- **Suitable for use with high pressure water supply only.**
Not suitable for gravity-fed water heaters, low and unequal pressure networks.
- Minimum Water pressure for satisfactory operation: 150kPa
- Maximum Water pressure: 500kPa
- Maximum hot water temperature: 70°C
- If the Water temperature exceeds 70°C an approved Tempering Valve must be fitted.

Please leave this form with the product once installed.

For full warranty terms and conditions, please see the warranty card enclosed with this product or visit www.greenstapware.com/warranty-and-care/

Please contact country of purchase.

NZ

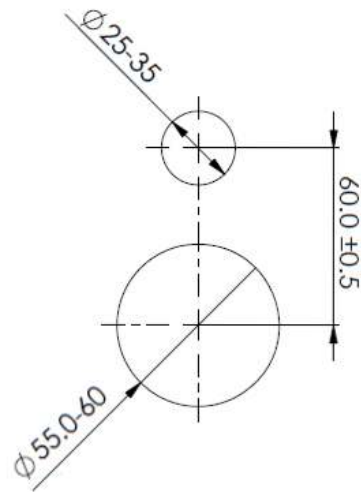
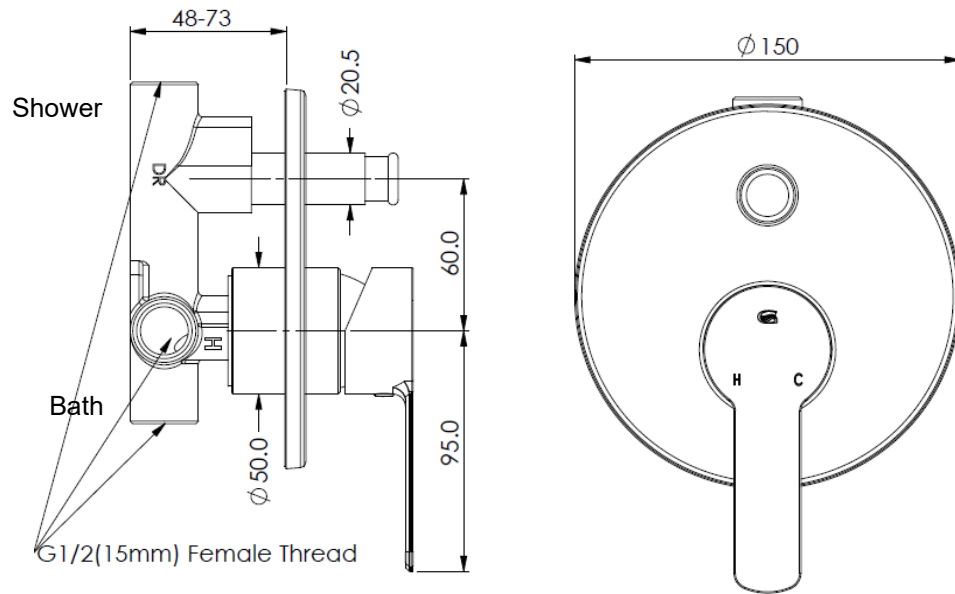
Distributed by: Greens Global Limited

PO Box 5055, Hamilton, 3200
22 The Boulevard, Te Rapa, Hamilton 3200
Phone: 07 849 0109, Fax: 07 849 0540
Website: www.greenstapware.com
Email: nzsales@greenstapware.com
Service Hotline: 0800 655 455

Australia:

Distributed by: Greens Global (Australia) Ltd
10/101 Wedgewood Rd, Hallam, Victoria 3803
Phone: 1800 244 487 Fax: 1800 244 212
Email: aussales@greenstapware.com
Website: www.greenstapware.com
Service Hotline: 1800 244 992

INSTALLATION INSTRUCTIONS SHOWER DIVERTER MIXER



Note: The Mixer can be mounted 48mm to 73mm behind finished wall surface. Locate the correct position of the mixer by ensuring the “Hot” inlet, enters from the left. The top outlet is for the shower the bottom outlet for the bath.

Ensure the diverter button is above the handle when the valve is fitted.

1. Position the mixer against a mounting board within the maximum and minimum depth allowed and fix.
2. Connect water supply to the mixer and from the mixer to the outlets.
 - a. Hot inlet on the left and cold inlet on the right.
 - b. Top outlet is for the shower and the bottom outlet for the bath.
 - c. **Do not pressure test with valve in the open position when the outlet is closed.**
 - d. Turn on water supply to the mixer and **check for leaks.**
3. Cut out an access hole in the wall lining for the mixer, as per drawing.
4. To secure the faceplate to the wall, remove the protective tape from the seal and slide the faceplate over the mixer body and position against the wall lining.
 - a. Sealant will be required behind faceplate on uneven surfaces for water seal.
 - b. Ensure seals is in place on the inside of plate for valve body and diverter.
5. Install the handle onto the cartridge lever and tighten the screw under the handle and fit button.

Note:

1. **Slide shower installations:** Non return valve to be fitted to the shower wall elbow outlet (not supplied).
2. **Testing valve operation:** Must have a rose / handset connected.
3. **Twin shower installations:** Top outlet to rose and bottom outlet to slide set.