

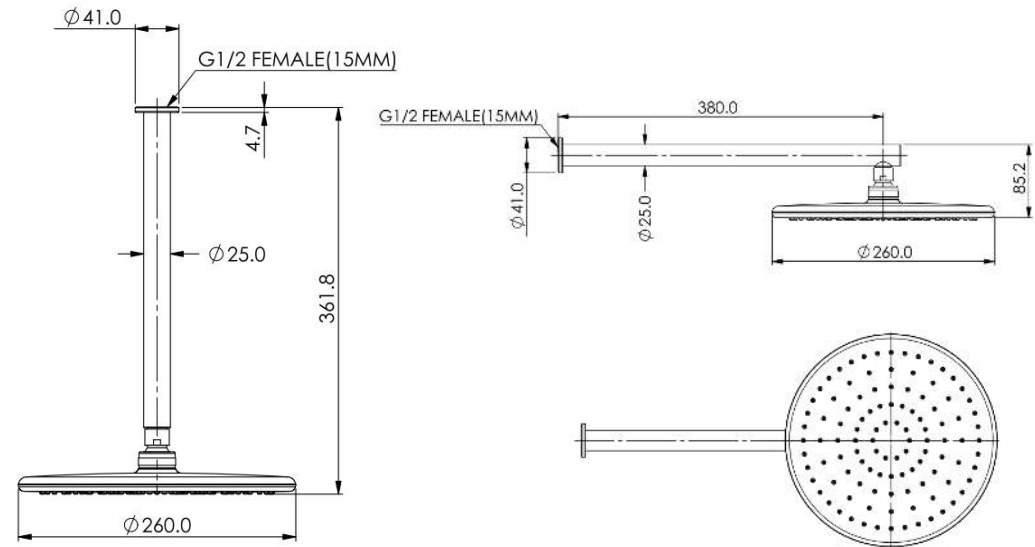
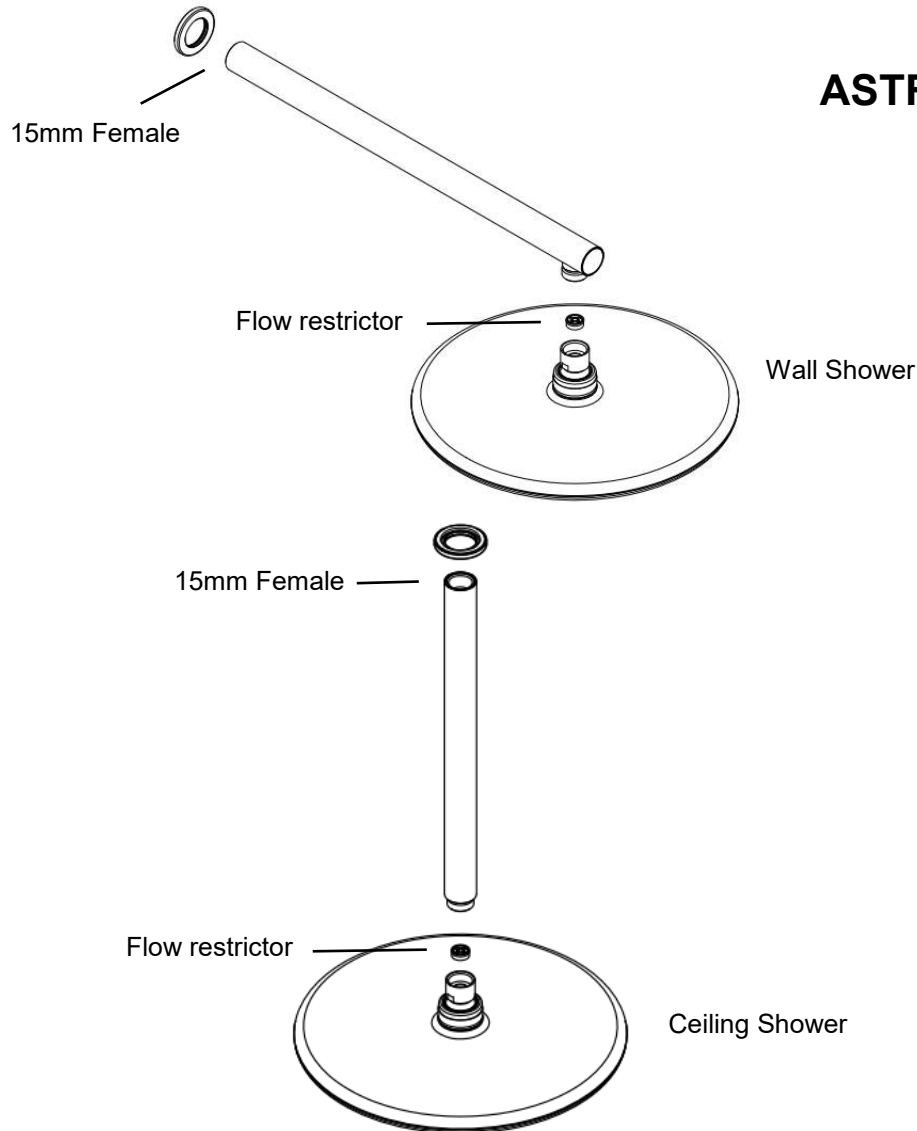
# INSTALLATION INSTRUCTIONS



## ASTRO II, ROCCO OVERHEAD WALL & CEILING SHOWERS INSTALLATION INSTRUCTIONS

**PRODUCT #**

**BATCH #**



### Technical Data

- **Suitable for use with high pressure water supply only.**  
Not suitable for gravity-fed water heaters, low and unequal pressure networks.
- Minimum water pressure - 150kPA
- Maximum water pressure - 500kpa.
- If pressure over 500kpa will require a limiting valve.
- Installation shall be in accordance with the AS/NZS3500 series of standards.
- Flow rate of 3 star 9 l/m has been rated under the Australian & NZ Water Efficiency Labeling Scheme (WELS).

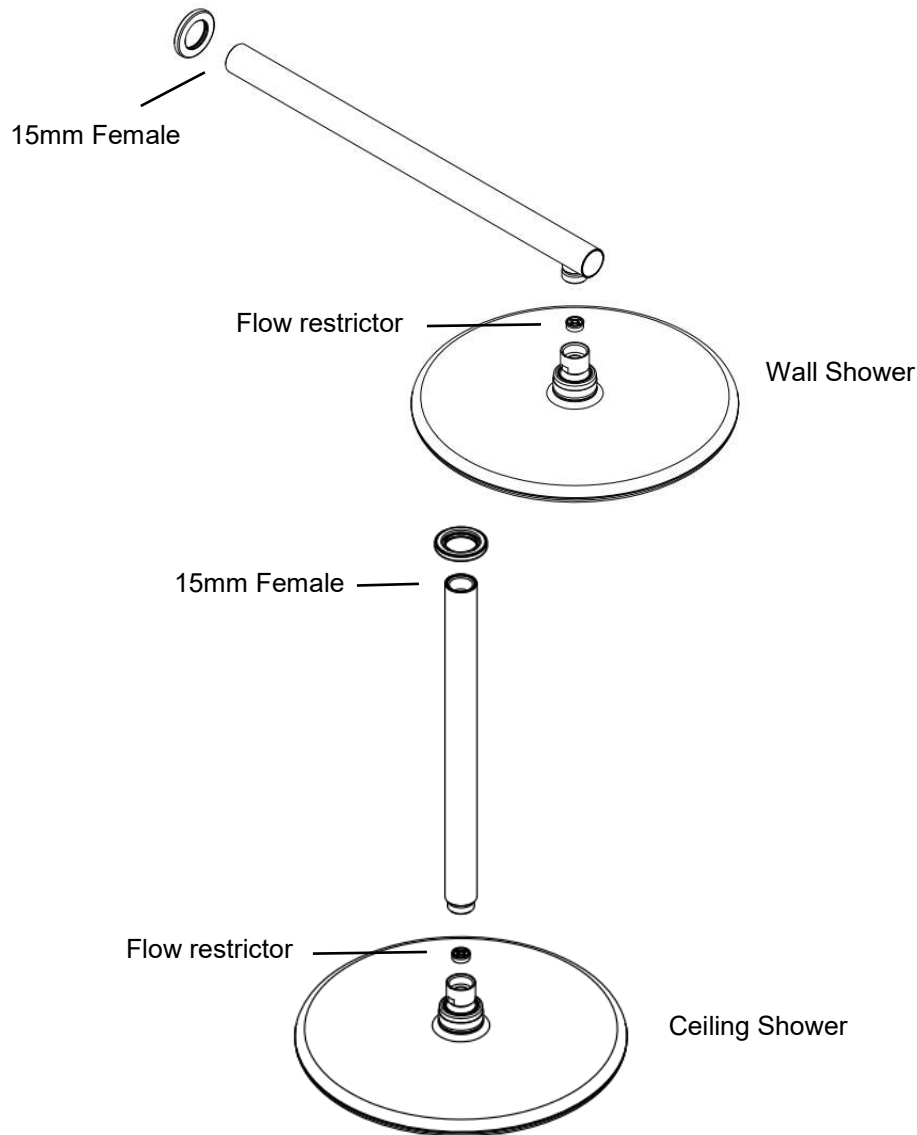
Please contact country of purchase.

**Distributed by: Greens Global AUS PTY LTD**  
36 Naxos Way, Keysborough VIC 3173  
Phone: 1800 244 487 Fax: 1800 244 212  
Email: aussales@greenstapware.com  
Website: www.greenstapware.com  
**Service Hotline: 1800 244 992**

**NZ**  
**Distributed by: Greens Global Limited**  
PO Box 5055, Hamilton, 3200  
22 The Boulevard, Te Rapa, Hamilton 3200  
Phone: 07 849 0109, Fax: 07 849 0540  
Website: www.greenstapware.com  
Email: nzsales@greenstapware.com  
**Service Hotline: 0800 655 455**

1. Position trim ring over the wall arm and remove the protective tape from seal on trim ring.
2. Install shower arm to 15mm male parallel thread (not supplied) and position the trim ring against the wall lining.
  - a. Max 15mm thread from finished wall.
  - b. Additional sealant maybe required for uneven surfaces.
3. Install overhead to arm and ensure washer seal is in place.

# INSTALLATION INSTRUCTIONS



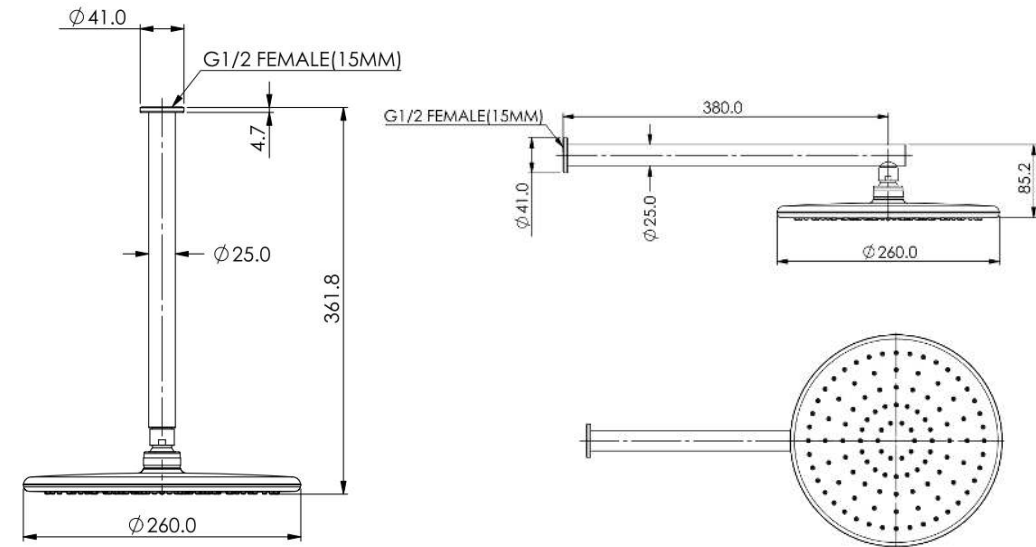
1. Position trim ring over the wall arm and remove the protective tape from seal on trim ring.
2. Install shower arm to 15mm male parallel thread (not supplied) and position the trim ring against the wall lining.
  - a. Max 15mm thread from finished wall.
  - b. Additional sealant maybe required for uneven surfaces.
3. Install overhead to arm and ensure washer seal is in place.



# ASTRO II OVERHEAD WALL & CEILING SHOWERS INSTALLATION INSTRUCTIONS

PRODUCT #  
**18500291**

BATCH #  
**191222**



## Technical Data

- **Suitable for use with high pressure water supply only.**  
Not suitable for gravity-fed water heaters, low and unequal pressure networks.
- Minimum water pressure - 150kPa
- Maximum water pressure - 500kpa.
- If pressure over 500kpa will require a limiting valve.
- Installation shall be in accordance with the AS/NZS3500 series of standards.
- Flow rate of 3 star 9 l/m has been rated under the Australian & NZ Water Efficiency Labeling Scheme (WELS).

Please contact country of purchase.

**Distributed by: Greens Global AUS PTY LTD**  
36 Naxos Way, Keysborough VIC 3173  
Phone: 1800 244 487 Fax: 1800 244 212  
Email: aussales@greenstapware.com  
Website: www.greenstapware.com  
**Service Hotline: 1800 244 992**

**NZ**  
**Distributed by: Greens Global Limited**  
PO Box 5055, Hamilton, 3200  
22 The Boulevard, Te Rapa, Hamilton 3200  
Phone: 07 849 0109, Fax: 07 849 0540  
Website: www.greenstapware.com  
Email: nzsales@greenstapware.com  
**Service Hotline: 0800 655 455**