

INSTALLATION INSTRUCTIONS

1. Cut out mounting hole in finished wall for spout.
2. Install spout with 15mm parallel thread (not supplied).
3. For shower hose connection, install hose to the 15mm male thread below the diverter and ensure washer is in place.

After Installation:

1. Test for leaks.
2. Test the diverter spout for operation with the water running.

Operating Instructions:

1. Turn water supply on, water will flow out the aerator of bath spout
2. **Low Pressure:** Pull the diverter knob up and 1/4 turn clock-wise to hold the diverter in place for shower outlet.
To return to bath, turn off water flow and turn diverter knob 1/4 clock-wise.
3. **Mains Pressure:** The diverter is spring loaded and depends on pressure to stay engaged. With the water running, pull the diverter knob up to fully engage .
To return to bath, turn off water flow, diverter will re-set.

Do not force the diverter back into position when the water is running.

This action may damage the diverter.

Please contact country of purchase .

NZ

Distributed by: Greens Global Limited
PO Box 5055, Hamilton, 3200
22 The Boulevard, Te Rapa, Hamilton 3200
Phone: 07 849 0109, Fax: 07 849 0540
Website: www.greenstapware.com
Email: nzsales@greenstapware.com
Service Hotline: 0800 655 455

Australia:

Distributed by: Greens Global (Australia) Ltd
10/101 Wedgewood Rd, Hallam, Victoria 3803
Phone: 1800 244 487 Fax: 1800 244 212
Email: aussales@greenstapware.com
Website: www.greenstapware.com
Service Hotline: 1800 244 992



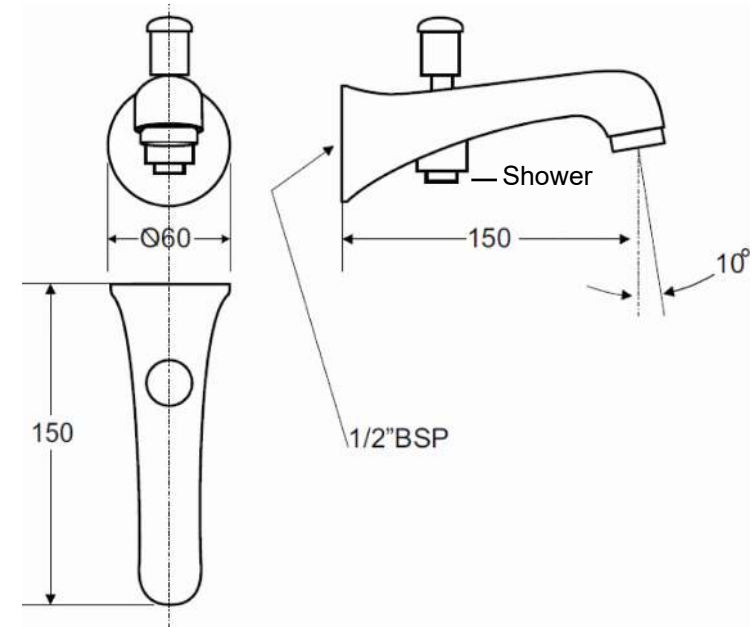
CLASSIC DIVERTER BATH SPOUT INSTALLATION INSTRUCTIONS

PRODUCT #

419550

BATCH #

231122



Installation shall be in accordance with the AS/NZS3500 series of standards.

Please leave this instruction sheet with the customer.

INSTALLATION INSTRUCTIONS

1. Cut out mounting hole in finished wall for spout.
2. Install spout with 15mm parallel thread (not supplied).
3. For shower hose connection, install hose to the 15mm male thread below the diverter and ensure washer is in place.

After Installation:

1. Test for leaks.
2. Test the diverter spout for operation with the water running.

Operating Instructions:

1. Turn water supply on, water will flow out the aerator of bath spout
2. **Low Pressure:** Pull the diverter knob up and 1/4 turn clock-wise to hold the diverter in place for shower outlet.
To return to bath, turn off water flow and turn diverter knob 1/4 clock-wise.
3. **Mains Pressure:** The diverter is spring loaded and depends on pressure to stay engaged. With the water running, pull the diverter knob up to fully engage .
To return to bath, turn off water flow, diverter will re-set.

Do not force the diverter back into position when the water is running.
This action may damage the diverter.

Please contact country of purchase .

NZ

Distributed by: Greens Global Limited
PO Box 5055, Hamilton, 3200
22 The Boulevard, Te Rapa, Hamilton 3200
Phone: 07 849 0109, Fax: 07 849 0540
Website: www.greenstapware.com
Email: nzsales@greenstapware.com
Service Hotline: 0800 655 455

Australia:

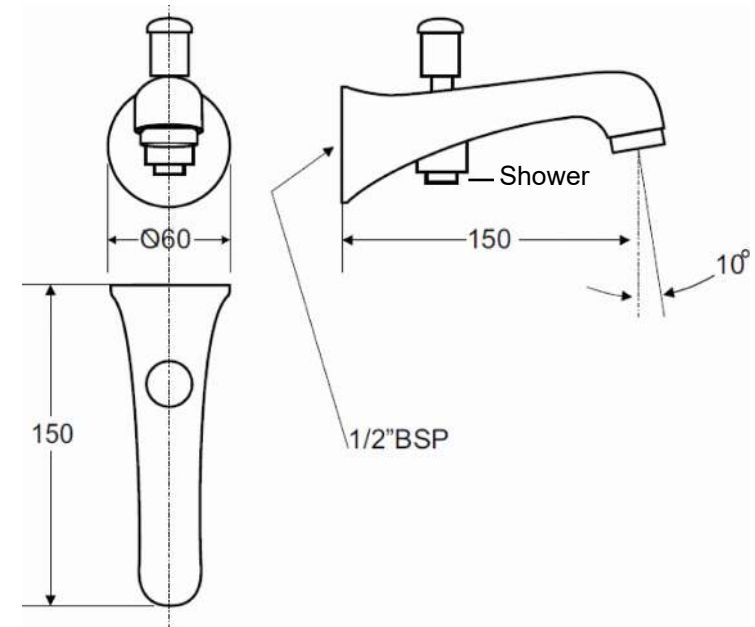
Distributed by: Greens Global (Australia) Ltd
10/101 Wedgewood Rd, Hallam, Victoria 3803
Phone: 1800 244 487 Fax: 1800 244 212
Email: aussales@greenstapware.com
Website: www.greenstapware.com
Service Hotline: 1800 244 992



CLASSIC DIVERTER BATH SPOUT INSTALLATION INSTRUCTIONS

PRODUCT #

BATCH #



Installation shall be in accordance with the AS/NZS3500 series of standards.

Please leave this instruction sheet with the customer.