



## TEXTURA & TESORA BASIN MIXERS (For Mains Pressure Installations Only) INSTALLATION INSTRUCTIONS

PRODUCT #

BATCH #

### ATTENTION PLUMBER

To ensure the optimum performance and customer satisfaction please adhere to the following:

- **Flush out all pipe work prior to installation.**
- Installation shall be in accordance with the AS/NZS3500 series of standards.  
**The maximum operating pressure within any building should not exceed 500kpa.**  
Pressure above 500kpa can cause damage from water hammer, reducing life of appliances, taps and fittings and cause excessive noise in the plumbing system.
- Pressure over 500kPa will require a limiting valve.
- Inline strainer / filter must be installed in the line before the mixer to cover both hot and cold supplies (not supplied). Must be accessible.

### TECHNICAL DATA

- **Suitable for use with high pressure water supply only.**  
Not suitable for gravity-fed water heaters, low and unequal pressure networks.
- Minimum Water pressure for satisfactory operation: 150kPa
- Maximum Water pressure: 500kPa
- Maximum hot water temperature: 70°C  
If the Water temperature exceeds 70°C an approved Tempering Valve must be fitted.
- The flow rate of the basin mixer has been rated under the Australian & NZ Water Efficiency Labeling Scheme (WELS) to 5 Star — 6.0 litres per minute.

Please leave this form with the product once installed.

For full warranty terms and conditions, please see the warranty card enclosed with this product or visit [www.greenstapware.com/warranty-and-care/](http://www.greenstapware.com/warranty-and-care/)

Please contact country of purchase.

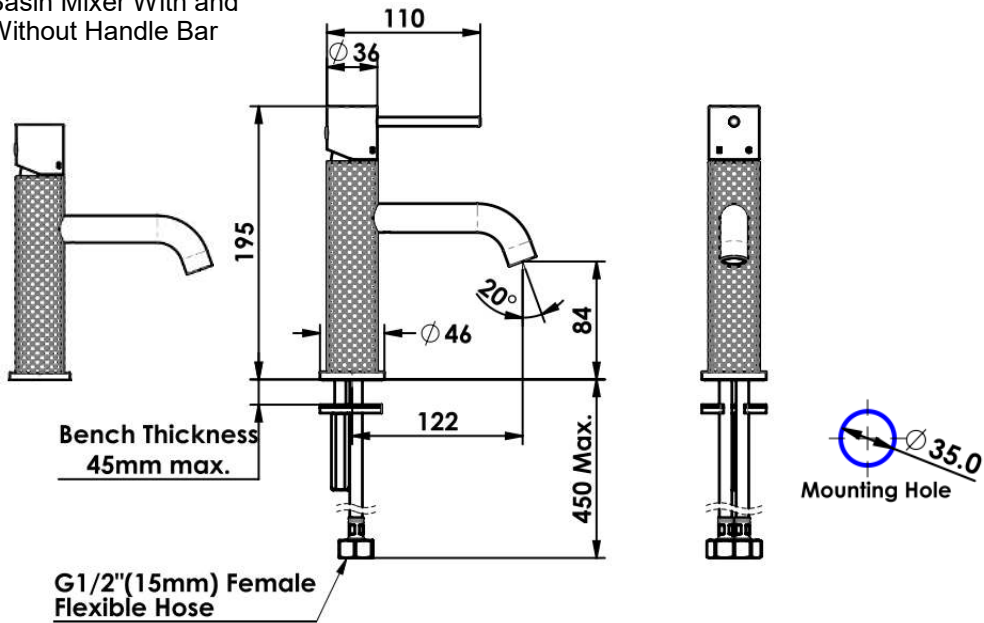
#### NZ

**Distributed by: Greens Global Limited**  
PO Box 5055, Hamilton, 3200  
22 The Boulevard, Te Rapa, Hamilton 3200  
Phone: 07 849 0109, Fax: 07 849 0540  
Website: [www.greenstapware.com](http://www.greenstapware.com)  
Email: [nzsales@greenstapware.com](mailto:nzsales@greenstapware.com)  
**Service Hotline: 0800 655 455**

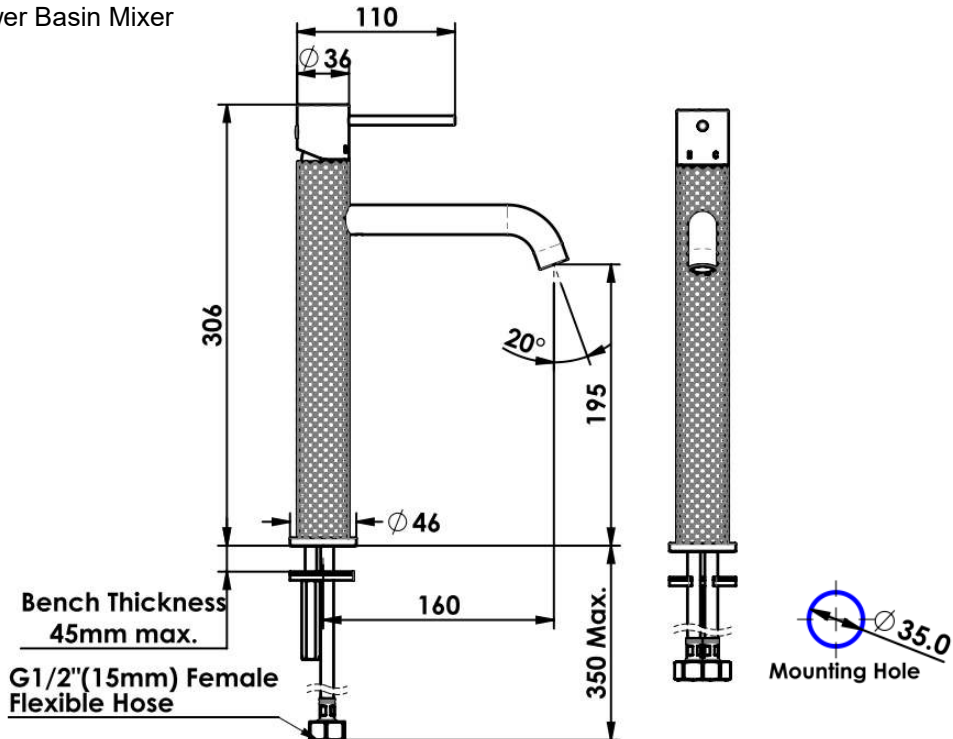
#### Distributed by: Greens Global AUS PTY LTD

36 Naxos Way, Keysborough VIC 3173  
Phone: 1800 244 487 Fax: 1800 244 212  
Email: [aussales@greenstapware.com](mailto:aussales@greenstapware.com)  
Website: [www.greenstapware.com](http://www.greenstapware.com)  
**Service Hotline: 1800 244 992**

Basin Mixer With and Without Handle Bar



Tower Basin Mixer



## INSTALLATION INSTRUCTIONS BASIN MIXER

**Note: Fits Maximum Bench thickness of 45mm.**

To install mixer, cut a mounting hole 35mm in diameter in the bench surface.

1. Unscrew mounting nut and remove steel washer and rubber washer from mounting thread.
2. Ensure **seal** is sitting in groove in the base flange of mixer.
3. Lower fitted hoses into the mounting hole and position mixer in bench top.
  - a. If mounting hole is less than 35mm, remove one of the hoses by unscrewing anti-clockwise and feed the hose up from under the bench and **hand tighten** clock-wise into the inlet of mixer.
4. From under bench, install the **rubber washer** then the **steel washer** over mounting thread and screw the **mounting nut** to mounting thread. **Tighten** with 11mm tube spanner and secure the mixer to the bench.
5. **Connect flexi hoses** to water supply.
  - a. The union nuts must be connected to 15mm thread fittings which have a **machined end face with a chamfer, not "sawn off" threaded tube.**
  - b. **Do not over tighten the nuts.**
    - i. Hand tighten then 1/4 turn with spanner.
  - c. **Do not kink, stretch or twist**, any bends in the flexible hose should have radius of no less than 85mm.
6. Turn on water supply and **check for leaks.**
7. To clean aerator at outlet, remove by turn anti-clockwise using tool supplied.

### BENCH TOPS

- ◆ Formica/wooden bench tops, extra mounting support is required below the bench.
- ◆ Stainless steel bench tops ensure the mounting washer is against the S/Steel.
- ◆ **Vitreous china tops additional sealant maybe required at the base of the mixer to ensure a water tight seal.**