



## TEXTURA & TESORA WALL BASIN MIXER (For Mains Pressure Installations Only) INSTALLATION INSTRUCTIONS

PRODUCT #
-----------

BATCH #
---------

### ATTENTION PLUMBER

To ensure the optimum performance and customer satisfaction please adhere to the following:

- **Flush out all pipe work prior to installation.**
- Installation shall be in accordance with the AS/NZS3500 series of standards.  
**The maximum operating pressure within any building should not exceed 500kpa.**  
Pressure above 500kpa can cause damage from water hammer, reducing life of appliances, taps and fittings and cause excessive noise in the plumbing system.
- Pressure over 500kPa will require a limiting valve.
- Inline strainer / filter must be installed in the line before the mixer to cover both hot and cold supplies (not supplied). Must be accessible.

### TECHNICAL DATA

- Minimum Water pressure for satisfactory operation: 150kPa
- Maximum Water pressure: 500kPa
- Maximum hot water temperature: 70°C  
If the Water temperature exceeds 70°C an approved Tempering Valve must be fitted.
- The flow rate of the basin mixer has been rated under the NZ Water Efficiency Labeling Scheme (WELS) to 5 Star — 6.0 litres per minute.

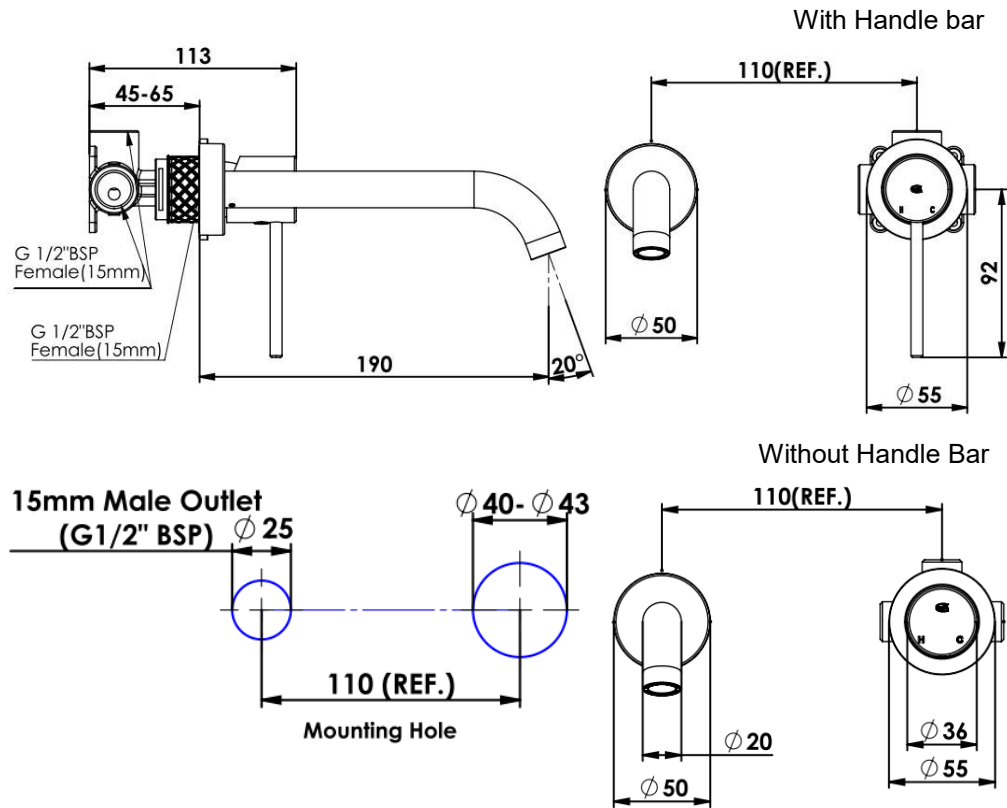
Please leave this form with the product once installed.

For full warranty terms and conditions, please see the warranty card enclosed with this product or visit [www.greenstapware.com/warranty-and-care/](http://www.greenstapware.com/warranty-and-care/)

### Distributed by: Greens Global Limited

PO Box 5055, Hamilton, 3200  
22 The Boulevard, Te Rapa, Hamilton 3200  
Phone: 07 849 0109, Fax: 07 849 0540  
Website: [www.greenstapware.com](http://www.greenstapware.com)  
Email: [nzsales@greenstapware.com](mailto:nzsales@greenstapware.com)  
**Service Hotline: 0800 655 455**

## INSTALLATION INSTRUCTIONS



**Note:** Cut out holes in finished walls. Valve 40-43mm Spout 25mm.  
Vale mounting 45-65mm behind finished wall.

### Installing Mixer Valve Body:

- Position the mixer against a mounting board within the **maximum and minimum depth of 45-65mm** and fix.
  - Ensure the "Hot" (H) inlet, enters from the left, when the outlet to the shower is at the top.
  - Mug guard has minimum and maximum for finished wall.
    - Leave mud guard on valve body until final fit out.
  - Note: Finished wall cut out must be up to the mud guard.**
    - Note: Maximum cut out of 43mm.**
- Connect water supply to the mixer and from the mixer to the shower outlet.
  - Do not pressure test with valve in the open position when the outlet is closed.**

### Installing Bracket Elbow For Spout (not supplied):

- Install a brass 15mm male wingback elbow for spout position and connect water supply from mixer outlet to elbow.
  - Min 80mm from mixer to spout. Drawing 110mm (REF) is for guide only.
  - Check alignment of body and wall elbow.**
- Plug off elbow for water test.
- Turn on water supply on and check for leaks.
 

**Do not pressure test with valve in the open position when outlet is closed.**

### Install Face Plate & Handle:

- Remove the mud guard.
- Remove the protective tape from the seal and slide the faceplate over the mixer body and position against the wall lining.
  - Ensure the drain hole in plate at the bottom
- Sealant will be required behind faceplate on uneven surfaces for water seal.
- Install the handle onto the cartridge lever and tighten the screw under the handle with the 2.5mm Allen key supplied and fit button.

### Installing Spout & Mounting Adaptor:

- Cut out mounting hole in finished wall for **spout 25mm** as per drawing.
- Mounting adaptor requires 10mm thread from finished wall, cut to length.**
- Remove the DN15mm mounting adaptor unscrewing the grub screws under the spout until nearly out.
  - This is to ensure the O-rings on the adaptor are not cut.
- Install the female mounting adaptor.
  - Using a spanner or 1/4" Allen key.
    - Back edge of adaptor to be level with the finished wall as shown.**
- Grease O-rings, install spout ensuring seal is in place and tighten grub screws.

