

## DIVERTER OPERATION

### LOW PRESSURE:

1. **Pull out diverter button and 1/4 turn clock-wise.**
  - a. This will hold the diverter out.
  - b. **Always turn the button clock-wise.**

### MAINS PRESSURE:

1. The diverter is spring loaded and requires the water pressure to stay engaged.
2. **Do not force the diverter back when the water is running** at overhead rose as this action may damage the diverter.
3. **Turn off mixer and will default to hand set.**

## MAINS PRESSURE & WELS

**NOTE:** For mains pressure the restrictor must be fitted to the overhead to give back pressure for spring loaded diverter to stay open.

### Hand Set:

To achieve the 3 star 9.0 l/m rating install the WELS restrictor washer between the **diverter outlet thread and hose.**



O ring inlet side

### Overhead Rose:

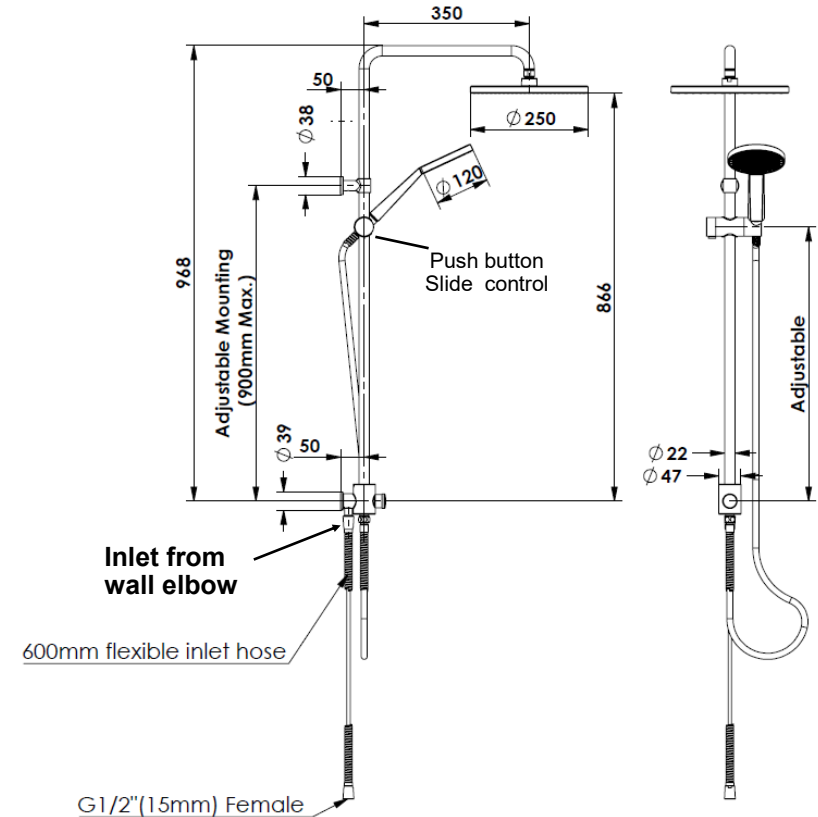
**INSTALL** the 9.0 l/m rating WELS 3 star restrictor under the black seal washer between arm and rose.



## RainBoost RETRO TWIN RAIL SHOWER (All Pressure Installations) INSTALLATION INSTRUCTIONS

PRODUCT #

BATCH #



### Technical Data:

**Low Pressure: Recommend to be installed with a FloBOOST shower mixer.**  
**Unequal Low Pressure:**

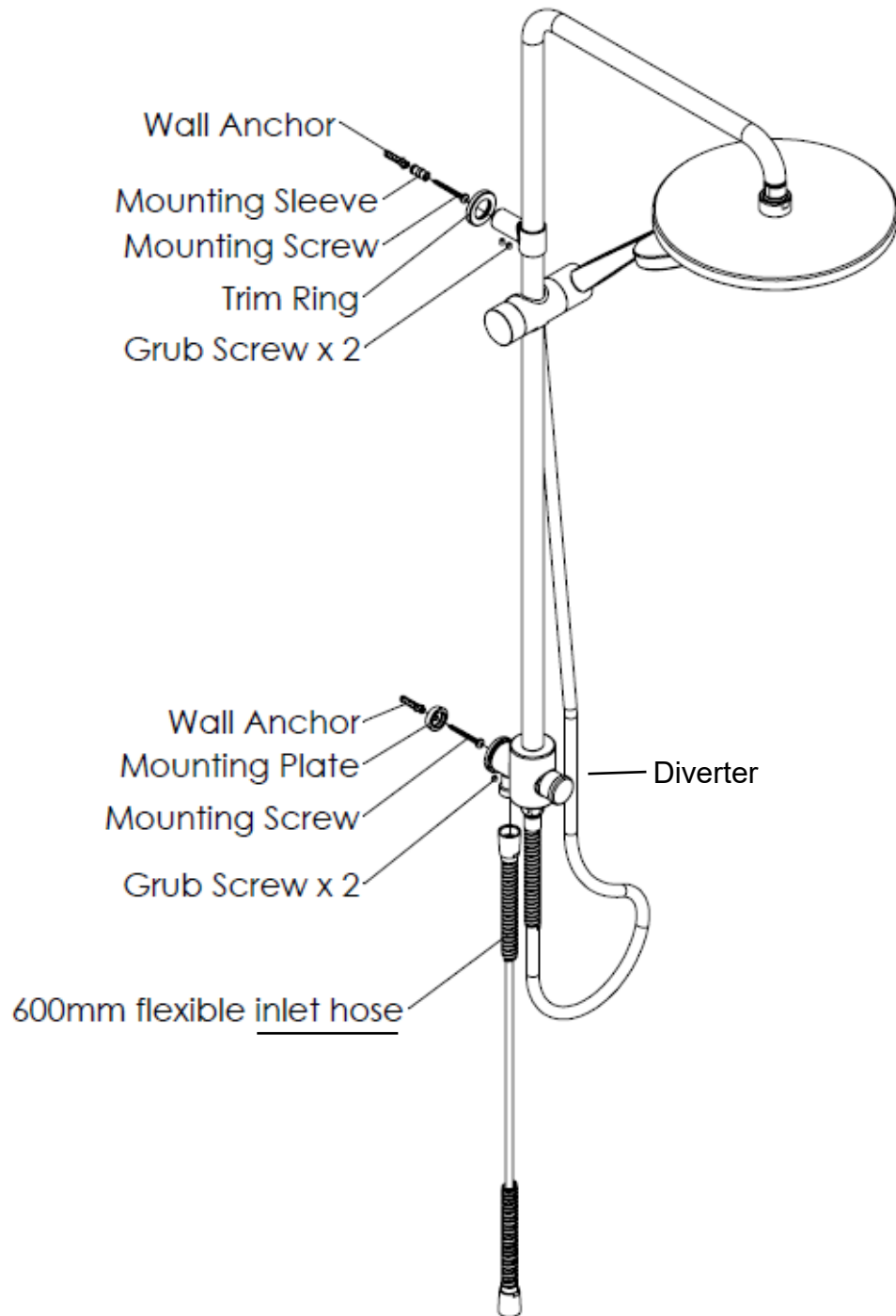
- Minimum **hot** water pressure (Only with a FloBOOST). 10Kpa (flow pressure)
- Minimum **cold** water pressure (Only with a FloBOOST). 200kpa (flow pressure)
- Maximum cold water pressure. 500kpa

### Equal Pressure - Low & Mains:

- Minimum water pressure. 20kpa (flow Pressure)
- Maximum Water pressure. 500kpa

- Pressure over 500kpa will require a limiting valve.
- Installation shall be in accordance with the AS/NZS3500 series of standards.

**Distributed by: Greens Global Limited**  
PO Box 5055, Hamilton, 3200  
22 The Boulevard, Te Rapa, Hamilton 3200  
Phone: 07 849 0109, Fax: 07 849 0540  
Website: [www.greenstapware.com](http://www.greenstapware.com)  
Email: [nzsales@greenstapware.com](mailto:nzsales@greenstapware.com)  
**Service Hotline: 0800 655 455**



- **PLEASE CHECK** the shower mixer is a suitable match.
- **LOW PRESSURE:** Recommended installed with a Greens FloBOOST shower mixer.  
Refer technical data on front page.
- **MAINS PRESSURE:** The restrictor must be fitted to the overhead to give back pressure on spring loaded diverter. Refer back page.
- Inlet behind diverter as shown is diagram.
- Diverter flange is 39mm dia.
- Top bracket mount is adjustable with max 900mm Centres.

#### Install Mounting Sleeve For Top Bracket:

1. Mark out and install mounting sleeve inline with the diverter mounting plate to ensure the rail will be straight on the wall.
  - a. **Note: For adjusting the top bracket height**, a locking screw is inside bracket. To adjust use 5mm Allen key.
  - b. Wall anchor provided for masonry walls.

#### Install Mounting Plate For Diverter:

1. Install the mounting plate.
  - a. **Note: Tapered side to wall.**
  - b. Check with a level that is straight with the mounting sleeve.
  - c. Wall anchor provided for masonry walls.

#### Install Diverter / Rail:

1. Install rail / top bracket to mounting sleeve.
  - a. Back off grub screws enough for attaching to mount.
  - b. **Remove the protective tape** from seal on the trim ring.
  - c. Additional sealant will be required for uneven surfaces for water seal.
  - d. Install rail to the mounting sleeve and tighten the grub screws.
    - i. **To adjust top rail bracket height**, back off grub screw inside and **tighten at height required** using a 5mm Allen key.
  - e. **Carefully position trim ring** against finished wall
    - i. Note: The trim ring has an O-ring on the inside, when sliding trim over the grub screws are below the surface as not to cut the seal.
2. Position diverter with rail over the mount and tighten the 2 grub screws.
  - a. Ensure the diverter wall seal is in place.
  - b. Additional sealant will be required for uneven surfaces for water seal.

#### Install Hoses And Roses:

1. Install the 600mm hose from back of diverter to wall shower elbow (not supplied) and ensure sealing washer is in place.
2. Install the 1500mm hose to the diverter outlet and ensure sealing washer is in place.
  - a. Nut end to the diverter and tapered end to the hand set.
3. Install over head rose to rail and hand set to hose and ensure sealing washers are in place.
  - a. **NOTE:** Overhead - **Restrictor MUST be fitted for mains pressure.**