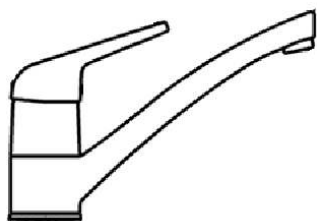
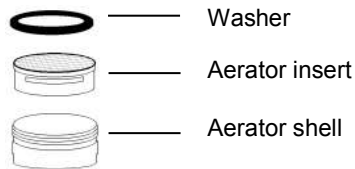


WELS:

- 0 Star rating aerator is fitted on product for Low Pressure system.
- 4 Star rating aerator needs to be replaced for Mains Pressure system.



To change aerator:

1. Unscrew aerator shell anti-clockwise.
 - a. 2 flat sides for spanner.
2. Replace aerator insert in shell.
 - a. ensure washer is in place.
2. Screw in by hand clock-wise, then a **light nip up** with a spanner.

ADJUSTING FLOW LIMITER:

A flow limiter is fitted to this mixer to limit the flow of water in high pressure situations.

1. Remove handle by loosening grub screw through access hole under the handle button with a 2.5mm Allen key.
2. Turn mixer on full and wind in grub screw clockwise to achieve desired flow rate.
3. Replace handle.

ADJUSTING ANTI-SCALD RING:

An anti-scald ring is fitted to this mixer to limit the maximum movement of the handle when turned to the "HOT" position.

Ex factory the cartridge is set to the maximum HOT water flow.

1. Remove handle by loosening grub screw through access hole under the handle button with a 2.5mm Allen key. Unscrew cover sleeve.
2. Lift the red anti-scald ring sufficiently to disengage. Turn anti-clockwise and replace until the desired maximum temperature is obtained. Each notch on the ring gives a temperature change of approximately 2°C.
3. Replace cover sleeve and handle.



MARKETTI BLADE SINK AND BASIN MIXERS (For All Pressure Installations) INSTALLATION INSTRUCTIONS

PRODUCT #

BATCH #

ATTENTION PLUMBER

To ensure the optimum performance and customer satisfaction please adhere to the following:

- Flush out all pipe work prior to installation
- Installation shall be in accordance with the AS/NZS3500 series of standards.
The maximum operating pressure within any building should not exceed 500kpa.
Pressure above 500kpa can cause damage from water hammer, reducing life of appliances, taps and fittings and cause excessive noise in the plumbing system.
- Pressure over 1000kPa will require a limiting valve.
- Inline filters must be installed on both hot and cold supplies.

TECHNICAL DATA

- Minimum Water pressure for satisfactory operation: 20kPa
- Maximum Water pressure: 1000KPa
- Maximum hot water temperature: 70°C
If the Water temperature exceeds 70°C an approved Tempering Valve must be fitted.
- The flow rate of the sink and basin mixers has been rated under the NZ Water Efficiency Labeling Scheme (WELS).

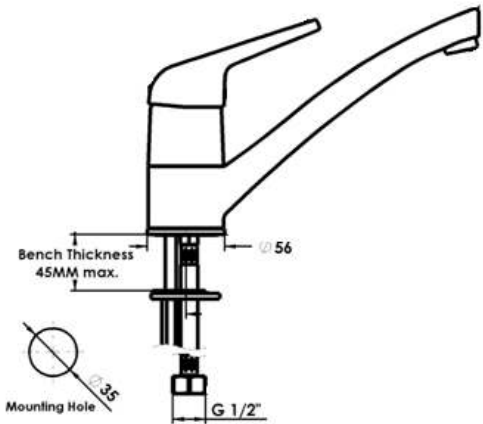
Please leave this form with the product once installed.

For full warranty terms and conditions, please see the warranty card enclosed with this product or visit www.greenstapware.com/warranty-and-care/

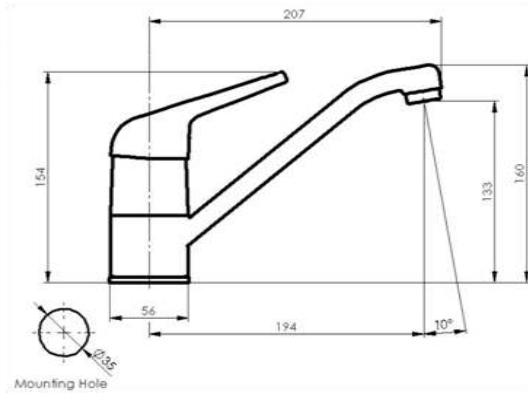
Distributed by: Greens Global Limited

PO Box 5055, Hamilton, 3200
22 The Boulevard, Te Rapa, Hamilton 3200
Phone: 07 849 0109, Fax: 07 849 0540
Website: www.greenstapware.com
Email: nzsales@greenstapware.com
Service Hotline: 0800 655 455

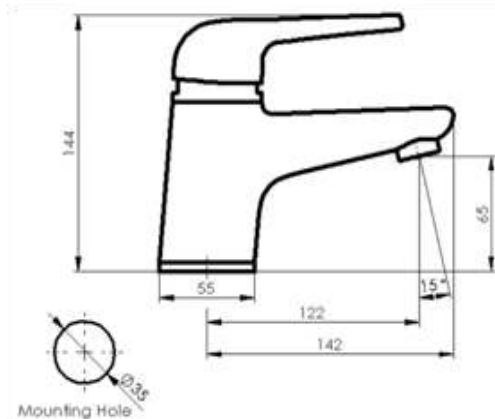
Sink Mixer Cast Spout



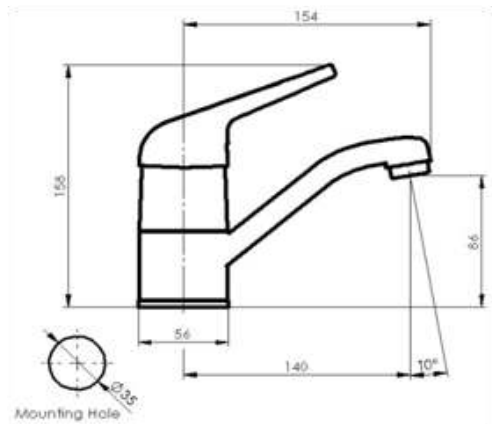
Sink Mixer



Fixed Basin Mixer



Swivel Basin Mixer



INSTALLATION INSTRUCTIONS SINK AND BASIN MIXERS

BENCH TOPS

- ◆ Formica/wooden bench tops, extra mounting support is required below the bench.
- ◆ Stainless steel bench tops ensure the mounting washer is against the S/Steel.
- ◆ **Vitreous china tops additional sealant maybe required at the base of the mixer to ensure a water tight seal.**

Note: Fits Maximum Bench thickness of 43mm.

To install mixer, cut a mounting hole **35mm** in diameter in the bench surface.

1. Screw the **M8 mounting thread** into base of mixer and **tighten**.
2. Screw the "Hot" hose (red) and **hand tighten**, into the left hand hose inlet (H) in the base of the mixer.
3. Install trim ring to base of mixer and ensure base O-ring seal is in place.
 - a. Note: Base seal is between the flange and bench top.
4. Lower fitted hose into the mounting hole and lay mixer on bench.
5. Feed the "Cold" hose (blue) through the mounting hole from **underneath the bench**. Pick up mixer and screw the hose and **hand tighten**, into cold inlet of mixer.
6. Position mixer in bench top with the **mounting thread to the rear**.
7. From under bench, install the **rubber washer** then the **steel washer** over mounting thread and screw the **mounting nut** to mounting thread. **Tighten** with 11mm tube spanner and secure the mixer to the bench.
8. **Connect flexi hoses** to water supply.
 - a. The union nuts must be connected to 15mm thread fittings which have a **machined end face with a chamfer, not "sawn off" threaded tube.**
 - b. **Do not over tighten the nuts.**
 - i. Hand tighten then 1/4 turn with spanner.
 - c. **Do not kink, stretch or twist**, any bends in the flexible hose should have a radius of no less than 85mm.
9. Turn on water supply and **check for leaks**.