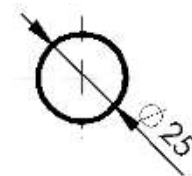
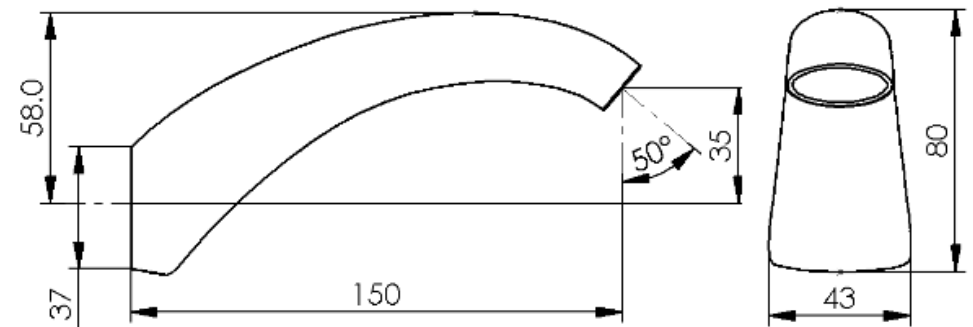




## APPLAUSE BATH SPOUT INSTALLATION INSTRUCTIONS

PRODUCT #  
531700

BATCH #  
051020



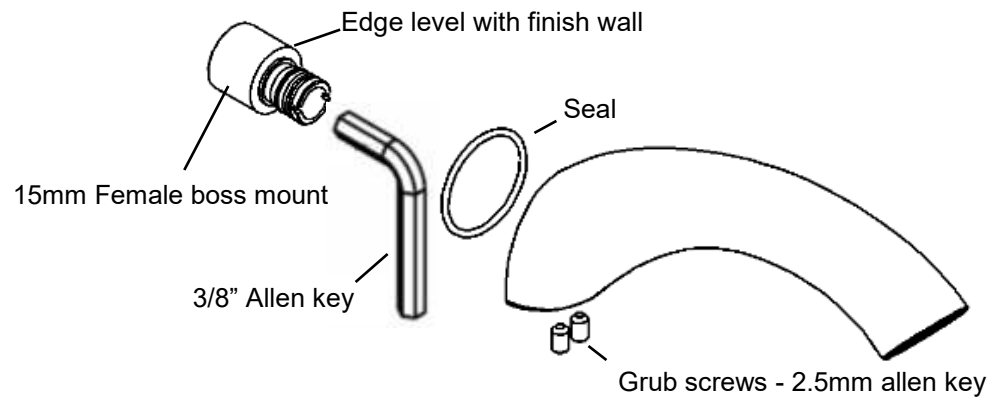
Mounting Hole

**Distributed by: Greens Global Limited**  
PO Box 5055, Hamilton, 3200  
22 The Boulevard, Te Rapa, Hamilton 3200  
Phone: 07 849 0109, Fax: 07 849 0540  
Website: [www.greenstapware.com](http://www.greenstapware.com)  
Email: [nzsales@greenstapware.com](mailto:nzsales@greenstapware.com)  
**Service Hotline: 0800 655 455**

Installation shall be in accordance with the AS/NZS3500 series of standards.

Please leave this instruction sheet with the customer.

## INSTALLATION INSTRUCTIONS



### Installing Female Boss Mount:

1. Cut out mounting hole in finished wall for **spout , 25mm** as per drawing.
2. Remove the 15mm female boss mount by unscrewing the **grub screws** under the spout until **nearly out.**
3. Install the female boss mount with 15mm parallel thread (not supplied) using an 3/8" Allen key.
  - a. Note: Edge of boss mount to be **level with finished wall.**

### Install Spout:

1. Grease O-rings, install spout ensuring seal is in place and tighten grub screws.