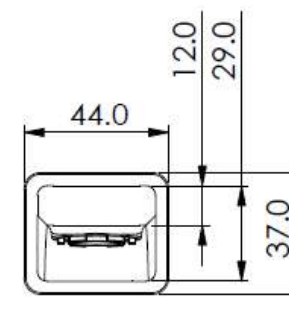
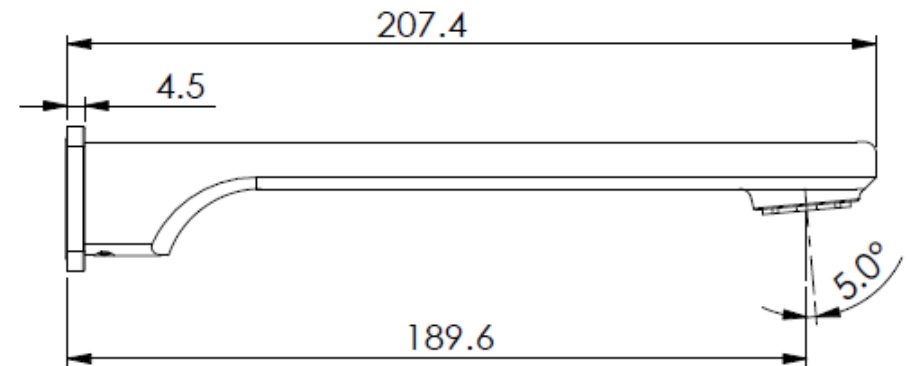




## ARCAS WALL MOUNTED BATH SPOUT INSTALLATION INSTRUCTIONS

PRODUCT #
-----------

BATCH #
---------



Please contact country of purchase.

### NZ

**Distributed by: Greens Global Limited**  
PO Box 5055, Hamilton, 3200  
22 The Boulevard, Te Rapa, Hamilton 3200  
Phone: 07 849 0109, Fax: 07 849 0540  
Website: [www.greenstapware.com](http://www.greenstapware.com)  
Email: [nzsales@greenstapware.com](mailto:nzsales@greenstapware.com)  
**Service Hotline: 0800 655 455**

### Distributed by: Greens Global AUS PTY LTD

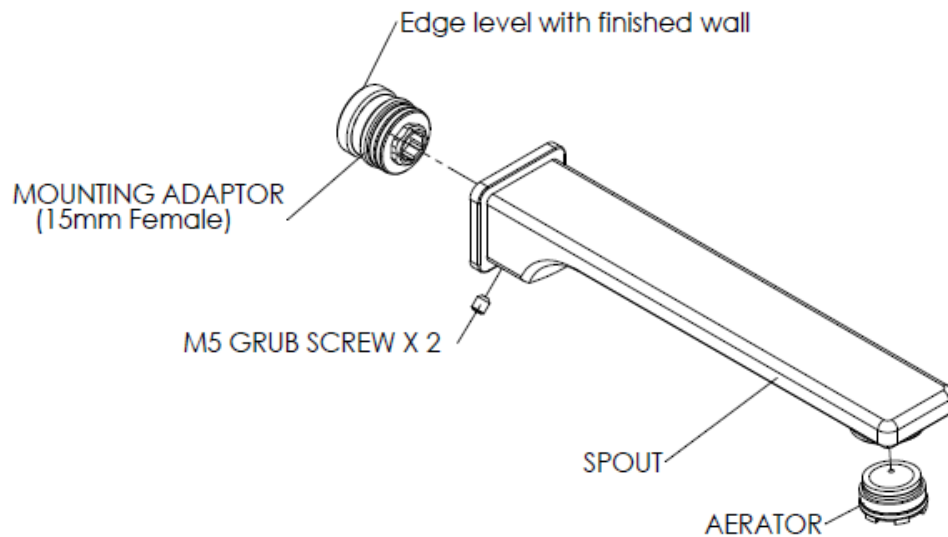
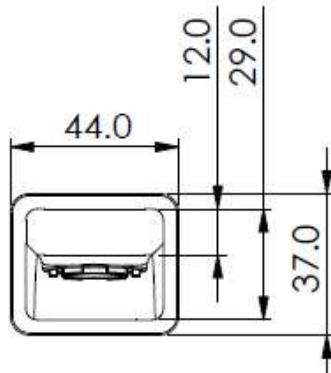
36 Naxos Way, Keysborough VIC 3173  
Phone: 1800 244 487 Fax: 1800 244 212  
Email: [aussales@greenstapware.com](mailto:aussales@greenstapware.com)  
Website: [www.greenstapware.com](http://www.greenstapware.com)  
**Service Hotline: 1800 244 992**

Installation shall be in accordance with the AS/NZS3500 series of standards.

Please leave this instruction sheet with the customer.

## INSTALLATION INSTRUCTIONS

**NOTE:** For finished wall, please refer to drawing to ensure the flange  
overs the mounting hole.



**Install a brass 15mm male wingback elbow (not supplied).**

1. Note: Mounting adaptor requires **MAX 15mm thread from finished wall.**

Install the female mounting adaptor.

1. Remove the 15mm female mounting adaptor by unscrewing the grub screws under the spout until nearly out.

a. This is to ensure the O-ring on the adaptor is not cut.

2. Cut the inlet thread to MAX 15mm from finished wall.

3. Install using a spanner or a 10mm Allen key.

a. **Back edge of the adaptor to be level with the finished wall as shown.**

Install spout.

1. Grease the O-ring on adaptor.

2. Install spout to mounting adaptor and tighten the grub screws.

a. **Check the grub screws are not protruding into the bore**, to ensure the O-ring on the adaptor is not cut.

b. Ensure the O-ring seal is on the spout trim.