



## EDGE SHOWER DIVERTER MIXER (For Mains Pressure Installations Only ) INSTALLATION INSTRUCTIONS

PRODUCT #

BATCH #

### ATTENTION PLUMBER

To ensure the optimum performance and customer satisfaction please adhere to the following:

- Flush out all pipe work prior to installation
- Installation shall be in accordance with the AS/NZS3500 series of standards.  
**The maximum operating pressure within any building should not exceed 500kpa.**  
Pressure above 500kpa can cause damage from water hammer, reducing life of appliances, taps and fittings and cause excessive noise in the plumbing system.
- Pressure over 500kPa will require a limiting valve.
- Inline filters must be installed on both hot and cold supplies.

### TECHNICAL DATA

- Minimum Water pressure for satisfactory operation: 150kPa
- Maximum Water pressure: 500kPa
- Maximum hot water temperature: 70°C
- If the Water temperature exceeds 70°C an approved Tempering Valve must be fitted.

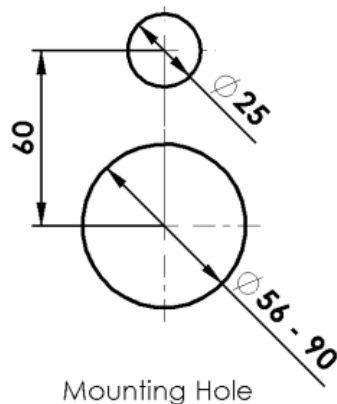
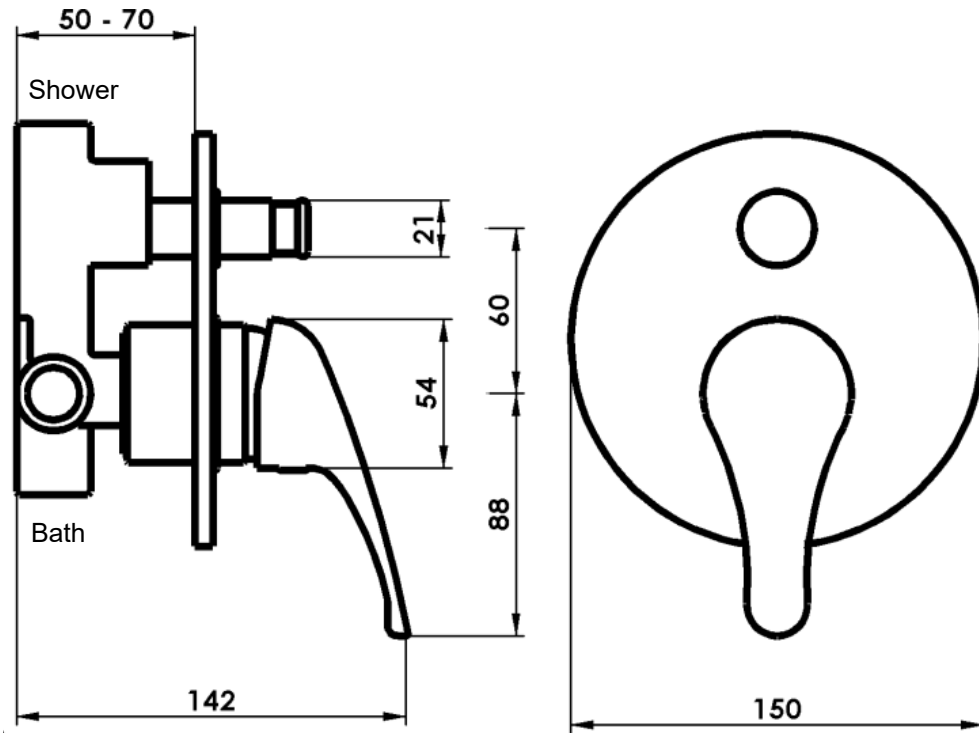
Please leave this form with the product once installed.

For full warranty terms and conditions, please see the warranty card enclosed with this product or visit [www.greenstapware.com/warranty-and-care/](http://www.greenstapware.com/warranty-and-care/)

**Distributed by: Greens Global Limited**  
PO Box 5055, Hamilton, 3200  
22 The Boulevard, Te Rapa, Hamilton 3200  
Phone: 07 849 0109, Fax: 07 849 0540  
Website: [www.greenstapware.com](http://www.greenstapware.com)  
Email: [nzsales@greenstapware.com](mailto:nzsales@greenstapware.com)  
**Service Hotline: 0800 655 455**

#41478 08/20

## INSTALLATION INSTRUCTIONS SHOWER DIVERTER MIXER



**Note: The Mixer can be mounted 50mm to 70mm behind finished wall surface.** Locate the correct position of the mixer by ensuring the “Hot” inlet, enters from the left. The top outlet is for the shower the bottom outlet for the bath.

**Ensure the diverter button is above the handle when the valve is fitted.**

1. Position the mixer against a mounting board within the maximum and minimum depth allowed and fix.
2. Connect water supply to the mixer and from the mixer to the outlets.
  - a. **Hot inlet on the left and cold inlet on the right.**
  - b. **Top outlet is for the shower and the bottom outlet for the bath.**
  - c. **Do not pressure test with valve in the open position when the outlet is closed .**
  - d. Turn on water supply to the mixer and **check for leaks.**
3. Cut out an access hole in the wall lining for the mixer, as per drawing.
4. Position faceplate over the mixer body against the wall lining.
  - a. Remove the protective tape from the seal on back of the face plate.
  - b. Ensure seals are in place on inside of the plate for valve body and diverter.
  - c. Ensure the drain hole in plate at the bottom .
  - d. Sealant will be required behind faceplate on uneven surfaces for water seal.
5. Install the handle onto the cartridge lever and tighten the screw under the handle and fit button.

### Note:

1. **Slide shower installations:** Non return valve to be fitted to the shower wall elbow outlet (not supplied).
2. **Testing valve operation:** Must have a rose / handset connected.
3. **Twin shower installations:** Top outlet to rose and bottom outlet to slide set.